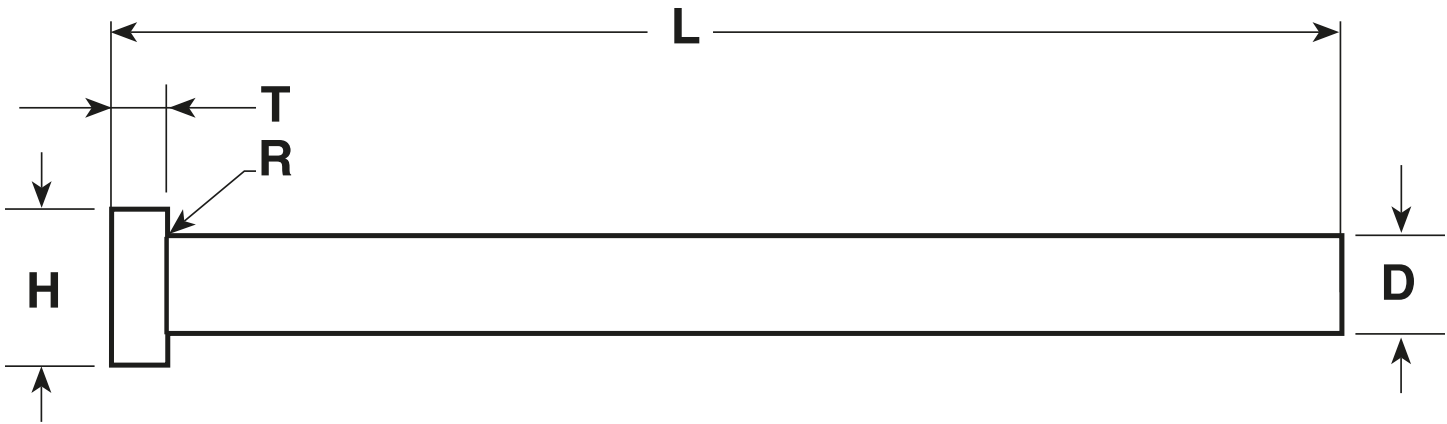




FAXABLE QUOTE FORM PARALLEL EJECTOR PINS



	Size	Tolerance	4	Special Tolerance	Quantity
D =	<input type="text"/>	-.0003 -.0008	<input type="text"/>	or <input type="text"/>	<input type="text"/>
H =	<input type="text"/>	+.000 -.010	<input type="text"/>	or <input type="text"/>	Material <input type="text"/>
T =	<input type="text"/>	+.000 -.002	<input type="text"/>	or <input type="text"/>	Hardness/Heat Treatment <input type="text"/>
L =	<input type="text"/>	+.062 -.000	<input type="text"/>	or <input type="text"/>	Required by <input type="text"/>
R =	<input type="text"/>	1/32 MAX	<input type="text"/>	or <input type="text"/>	<input type="text"/>

Company: _____

Address: _____

City: _____ State/Prov.: _____ Zip/Postal Code: _____

Phone: _____ Fax: _____ Email: _____

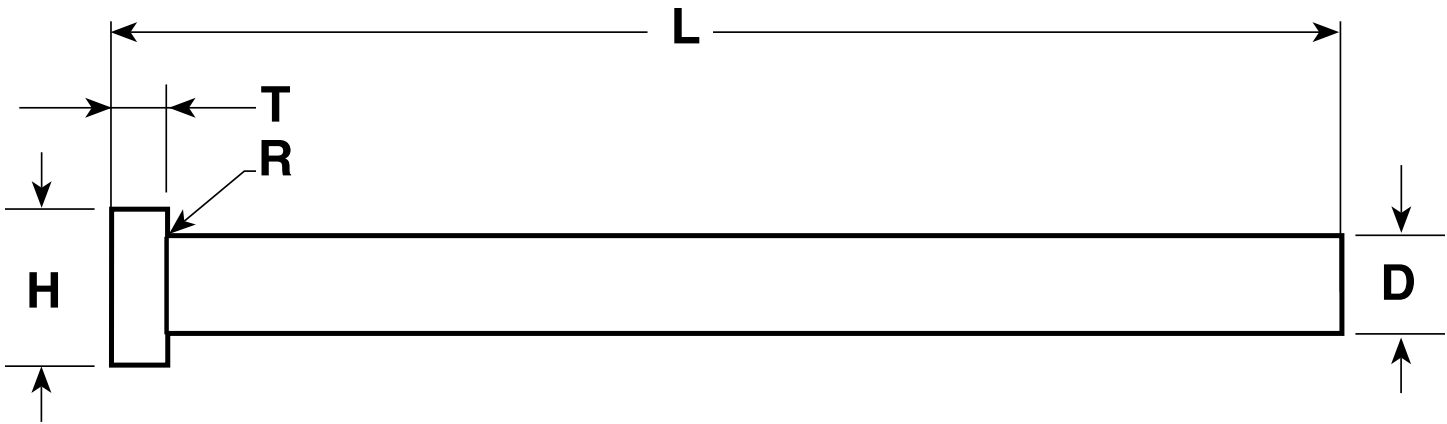
Contact Name: _____ Reference #: _____

DMS (Windsor) Fax: 800-845-3807

DMS (Elk Grove Village, IL) Fax: 800-367-4199



FAXABLE QUOTE FORM PARALLEL EJECTOR PINS METRIC



	Size	Tolerance	✓	Special Tolerance
D =		g6		or _____
H =		+0,0 -0,2		or _____
T =		+0,0 -0,5		or _____
L =		+2,0 -0,0		or _____
R =		+0,2 -0,0		or _____

Nominal Size		g6	
Over	To	Tolerance (mm)	
0mm	3mm	-.002	-.008
3mm	6mm	-.004	-.012
6mm	10mm	-.005	-.014
10mm	18mm	-.006	-.017
18mm	30mm	-.007	-.020
30mm	50mm	-.009	-.025

Quantity _____

Material _____

Hardness/Heat Treatment _____

Required by _____

Company: _____

Address: _____

City: _____ State/Prov.: _____ Zip/Postal Code: _____

Phone: _____ Fax: _____ Email: _____

Contact Name: _____ Reference #: _____

DMS (Windsor) Fax: 800-845-3807

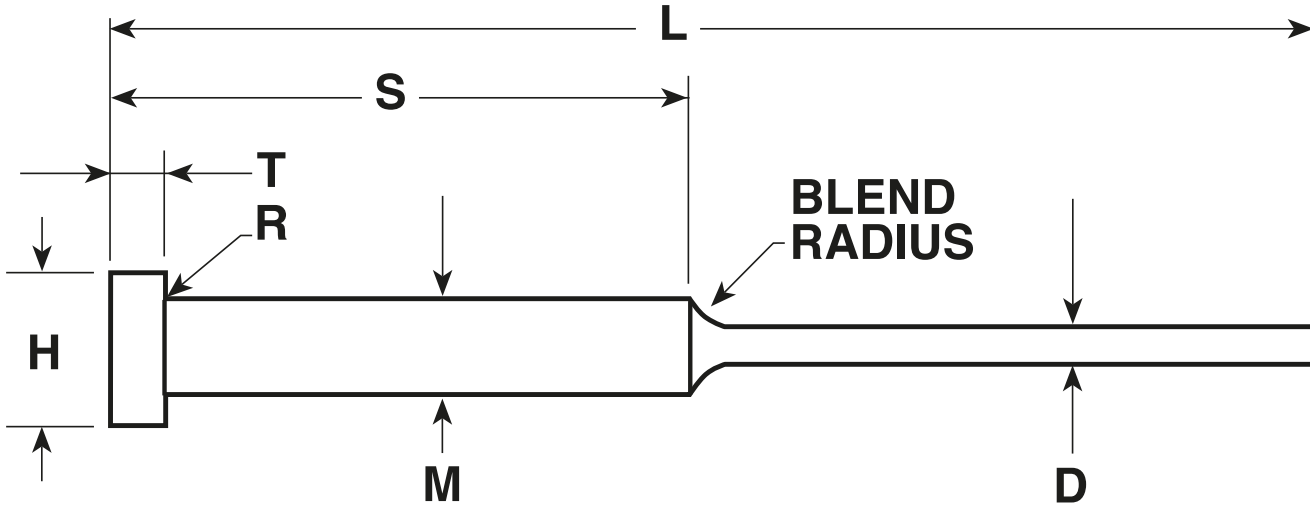
DMS (Elk Grove Village, IL) Fax: 800-367-4199



FAXABLE QUOTE FORM

SHOULDER EJECTOR PINS

METRIC



	Size	Tolerance	✓	Special Tolerance
D =		g6		or _____
M =		+0,0 -0,1		or _____
L =		+2,0 -0,0		or _____
S =				or _____
T =		+0,0 -0,5		or _____
H =		+0,0 -0,2		or _____
R =		0,3		or _____

Nominal Size		g6	
Over	To	Tolerance (mm)	
0mm	3mm	-0,02	-0,08
3mm	6mm	-0,04	-0,12
6mm	10mm	-0,05	-0,14
10mm	18mm	-0,06	-0,17
18mm	30mm	-0,07	-0,20
30mm	50mm	-0,09	-0,25

Quantity _____

Material _____

Hardness/Heat Treatment _____

Required by _____

Company: _____

Address: _____

City: _____ State/Prov.: _____ Zip/Postal Code: _____

Phone: _____ Fax: _____ Email: _____

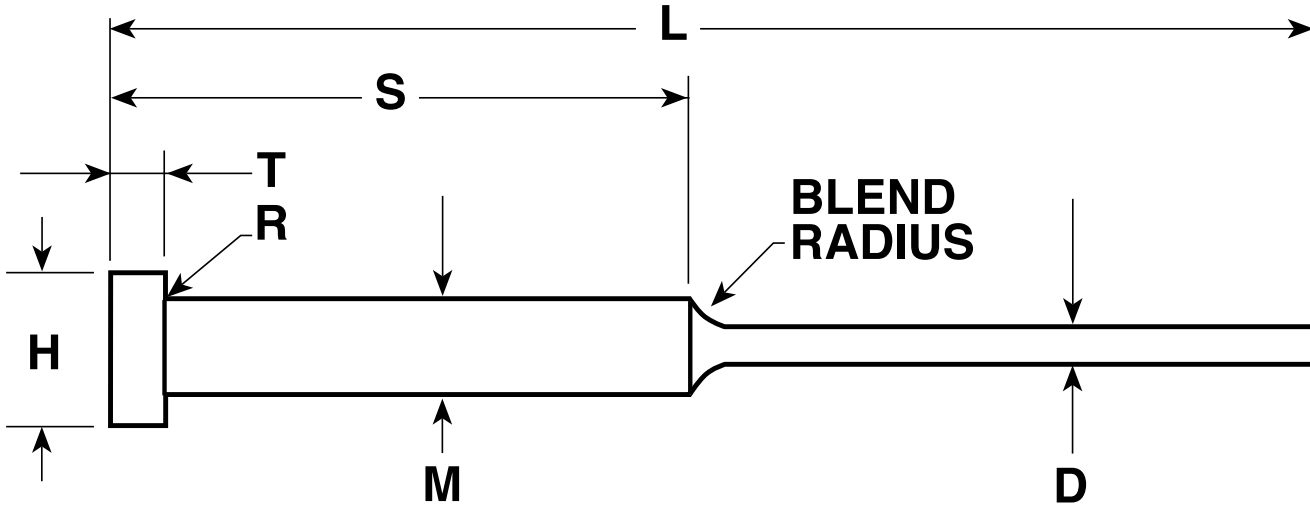
Contact Name: _____ Reference #: _____

DMS (Windsor) Fax: 800-845-3807

DMS (Elk Grove Village, IL) Fax: 800-367-4199



FAXABLE QUOTE FORM SHOULDER EJECTOR PINS METRIC



	Size	Tolerance	✓	Special Tolerance
D =		g6		or _____
M =		+0,0 -0,1		or _____
L =		+2,0 -0,0		or _____
S =				or _____
T =		+0,0 -0,5		or _____
H =		+0,0 -0,2		or _____
R =		0,3		or _____

Nominal Size		g6	
Over	To	Tolerance (mm)	
0mm	3mm	-0,02	-0,08
3mm	6mm	-0,04	-0,12
6mm	10mm	-0,05	-0,14
10mm	18mm	-0,06	-0,17
18mm	30mm	-0,07	-0,20
30mm	50mm	-0,09	-0,25

Quantity _____

Material _____

Hardness/Heat Treatment _____

Required by _____

Company: _____

Address: _____

City: _____ State/Prov.: _____ Zip/Postal Code: _____

Phone: _____ Fax: _____ Email: _____

Contact Name: _____ Reference #: _____

DMS (Windsor) Fax: 800-845-3807

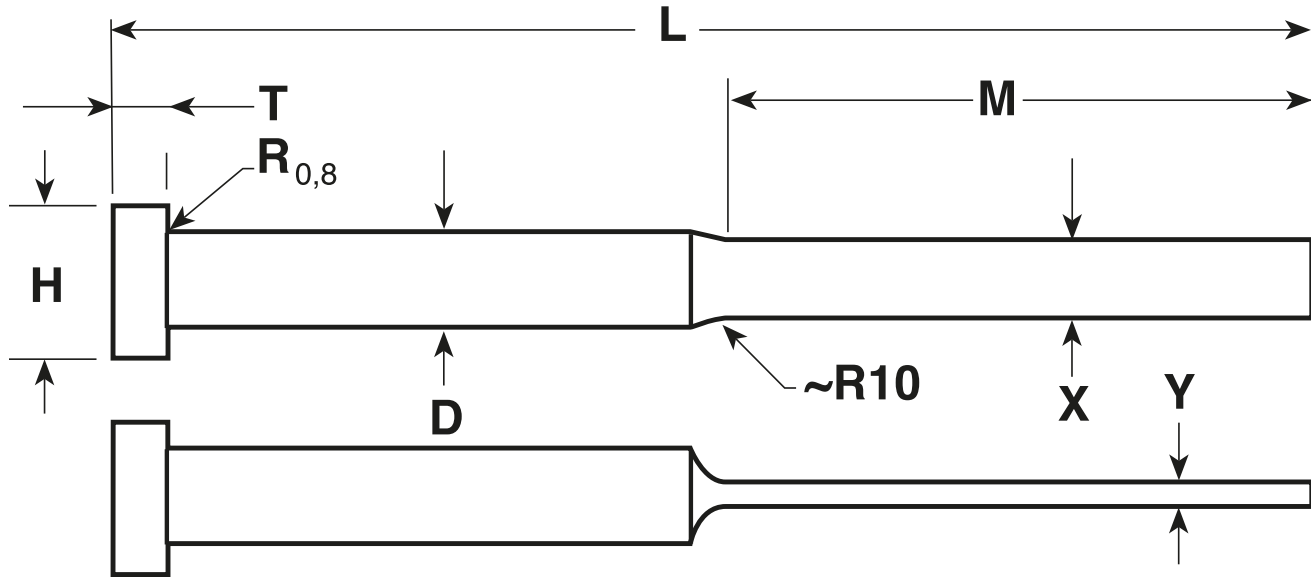
DMS (Elk Grove Village, IL) Fax: 800-367-4199



FAXABLE QUOTE FORM

BLADE EJECTORS

METRIC



Size	Tolerance	✓	Special Tolerance	Quantity
D =	-,006 -,017	<input type="checkbox"/>	or <input type="text"/>	_____
L =	+1,0 -0,0	<input type="checkbox"/>	or <input type="text"/>	Material _____
T =	+0,00 -0,05	<input type="checkbox"/>	or <input type="text"/>	_____
H =	+0,0 -0,2	<input type="checkbox"/>	or <input type="text"/>	Hardness/Heat Treatment _____
M =	+2,0 +1,0	<input type="checkbox"/>	or <input type="text"/>	_____
X =	+0,000 -0,015	<input type="checkbox"/>	or <input type="text"/>	Required by _____
Y =	+0,000 -0,015	<input type="checkbox"/>	or <input type="text"/>	_____

Company: _____

Address: _____

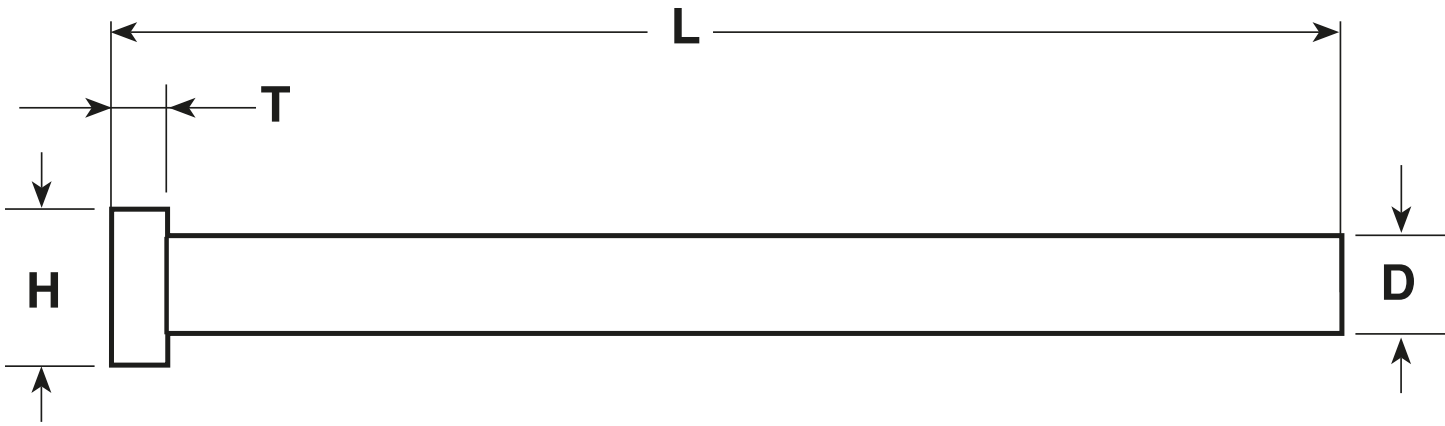
City: _____ State/Prov.: _____ Zip/Postal Code: _____

Phone: _____ Fax: _____ Email: _____

Contact Name: _____ Reference #: _____



FAXABLE QUOTE FORM CORE PINS



	Size	Tolerance	✓	Special Tolerance	Quantity
D =	<input type="text"/>	<input type="text"/>	<input type="checkbox"/>	<input type="text"/>	<input type="text"/>
H =	<input type="text"/>	<input type="text"/>	<input type="checkbox"/>	<input type="text"/>	Material
T =	<input type="text"/>	<input type="text"/>	<input type="checkbox"/>	<input type="text"/>	<input type="text"/>
L =	<input type="text"/>	<input type="text"/>	<input type="checkbox"/>	<input type="text"/>	Hardness/Heat Treatment
					Required by

Company: _____

Address: _____

City: _____ State/Prov.: _____ Zip/Postal Code: _____

Phone: _____ Fax: _____ Email: _____

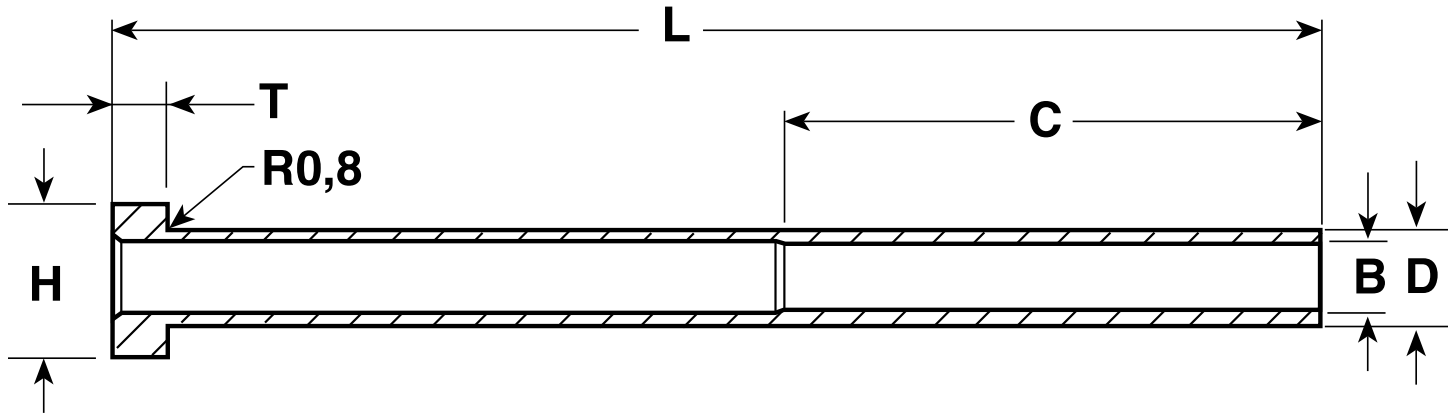
Contact Name: _____ Reference #: _____

DMS (Windsor) Fax: 800-845-3807

DMS (Elk Grove Village, IL) Fax: 800-367-4199



FAXABLE QUOTE FORM PARALLEL EJECTOR SLEEVES – METRIC



Size	Tolerance	✓	Special Tolerance	Quantity
D =	-0,006 -0,017	<input type="checkbox"/>	or <input type="text"/>	_____
B =	+0,008 -0,000	<input type="checkbox"/>	or <input type="text"/>	Material _____
H =	+0,0 -0,2	<input type="checkbox"/>	or <input type="text"/>	_____
T =	+0,00 -0,05	<input type="checkbox"/>	or <input type="text"/>	Hardness/Heat Treatment _____
L =	+1,0 -0,0	<input type="checkbox"/>	or <input type="text"/>	_____
C =	+ -	<input type="checkbox"/>	or <input type="text"/>	Required by _____

Company: _____

Address: _____

City: _____ State/Prov.: _____ Zip/Postal Code: _____

Phone: _____ Fax: _____ Email: _____

Contact Name: _____ Reference #: _____

DMS (Windsor)
Fax: 800-845-3807

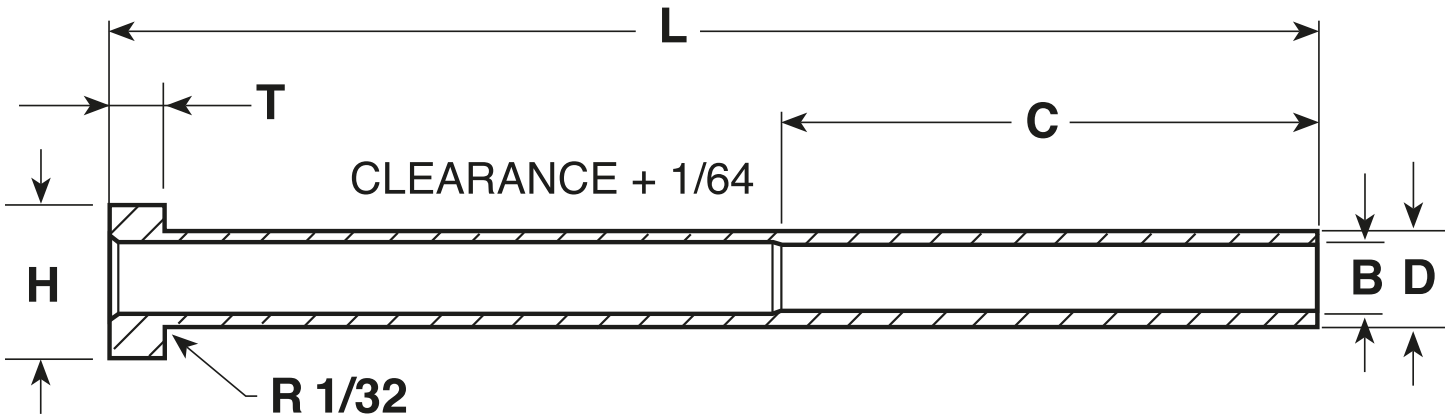
DMS (Schaumburg)
Fax: 847-466-0108
800-367-4199

DMS (Fountain Valley)
Fax: 714-751-3861
800-953-9561

DMS (Taunton)
Fax: 508-822-6547
888-469-1999



FAXABLE QUOTE FORM PARALLEL EJECTOR SLEEVES - INCH



Size	Tolerance	✓	Special Tolerance	Quantity
D =	-.0003 -.0008	<input type="checkbox"/>	or <input type="text"/>	_____
B =	+.0003 --.0000	<input type="checkbox"/>	or <input type="text"/>	Material _____
H =	+.000 -.010	<input type="checkbox"/>	or <input type="text"/>	_____
T =	+.000 -.002	<input type="checkbox"/>	or <input type="text"/>	Hardness/Heat Treatment _____
L =	+.031 -.000	<input type="checkbox"/>	or <input type="text"/>	_____
C =	+ -	<input type="checkbox"/>	or <input type="text"/>	Required by _____

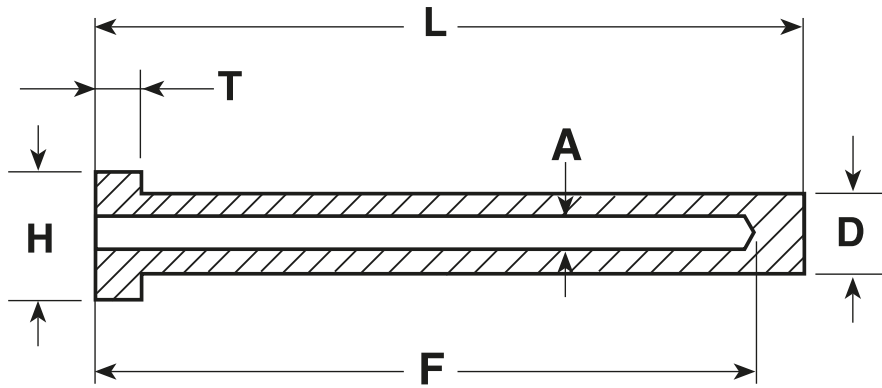
Company: _____
 Address: _____
 City: _____ State/Prov.: _____ Zip/Postal Code: _____
 Phone: _____ Fax: _____ Email: _____
 Contact Name: _____ Reference #: _____

DMS (Windsor) Fax: 800-845-3807

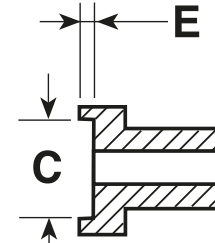
DMS (Elk Grove Village, IL) Fax: 800-367-4199



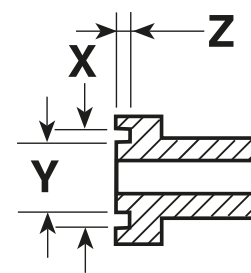
FAXABLE QUOTE FORM WATER COOLED CORES



C-BORE



O-RING



Size	Tolerance
D =	+ _____ - _____
H =	+ _____ - _____
T =	+ _____ - _____
L =	+ _____ - _____
F =	+ _____ - _____
A =	+ _____ - _____
C =	+ _____ - _____
E =	+ _____ - _____
X =	+ _____ - _____
Y =	+ _____ - _____
Z =	+ _____ - _____

Quantity

Material

Hardness/Heat Treatment

Required by

Company: _____

Address: _____

City: _____ State/Prov.: _____ Zip/Postal Code: _____

Phone: _____ Fax: _____ Email: _____

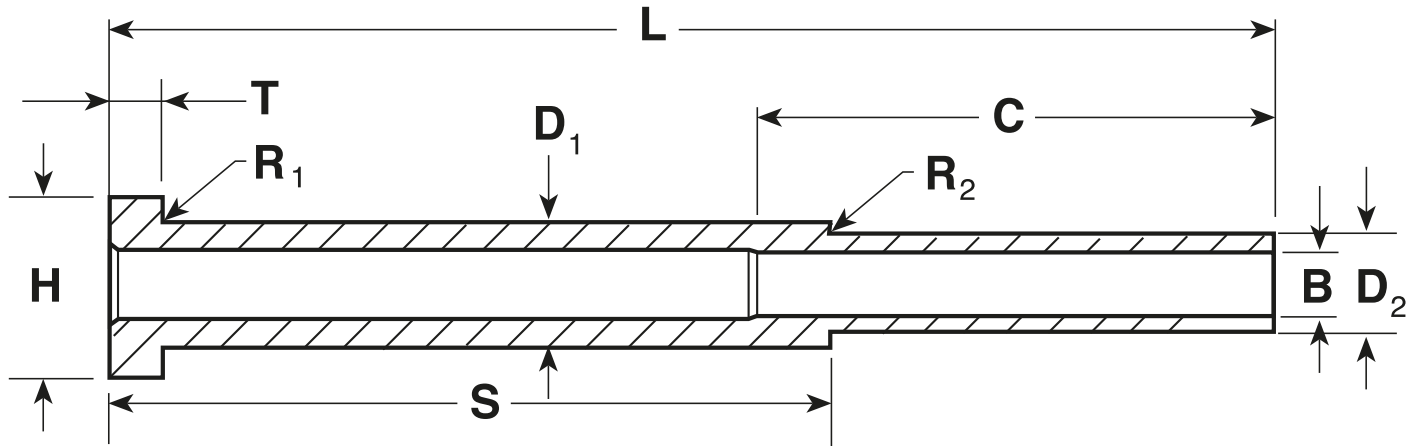
Contact Name: _____ Reference #: _____

DMS (Windsor) Fax: 800-845-3807

DMS (Elk Grove Village, IL) Fax: 800-367-4199



FAXABLE QUOTE FORM SHOULDER EJECTOR SLEEVES



	Size	Tolerance	✓	or	Special Tolerance
$D_1 =$		+ .000 - .001		or	
$D_2 =$		- .0003 - .0006		or	
$B =$		+ .0003 - .0000		or	
$H =$		+ .000 - .010		or	
$T =$		+ .000 - .002		or	
$L =$		+ .031 - .000		or	
$C =$		+ -		or	
$R_1 =$		1/32		or	
$R_2 =$		1/32		or	
$S =$		+ -		or	

Quantity _____

Material _____

Hardness/Heat Treatment _____

Required by _____

Company: _____

Address: _____

City: _____ State/Prov.: _____ Zip/Postal Code: _____

Phone: _____ Fax: _____ Email: _____

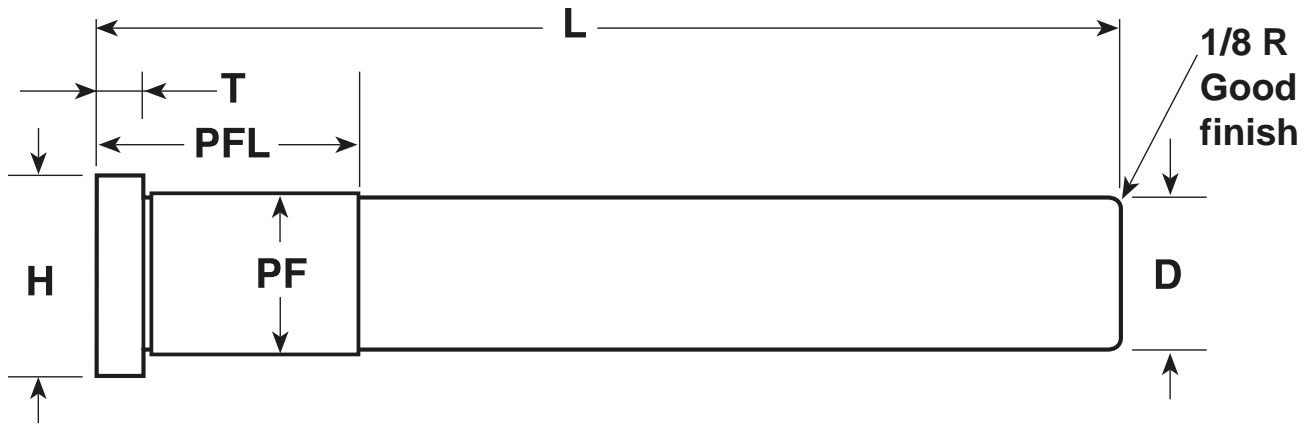
Contact Name: _____ Reference #: _____

DMS (Windsor) Fax: 800-845-3807

DMS (Elk Grove Village, IL) Fax: 800-367-4199



FAXABLE QUOTE FORM STRAIGHT LEADER PINS



	Size	Tolerance	✓	Special Tolerance	Quantity
D =		-.0000 -.0005		or	
H =		+.000 -.010		or	Material
T =		+.000 -.005		or	
PF =		+.0005 -.0000		or	Hardness/Heat Treatment
PFL =					
L =		+.010 -.000			Required by

Company: _____
 Address: _____
 City: _____ State/Prov.: _____ Zip/Postal Code: _____
 Phone: _____ Fax: _____ Email: _____
 Contact Name: _____ Reference #: _____

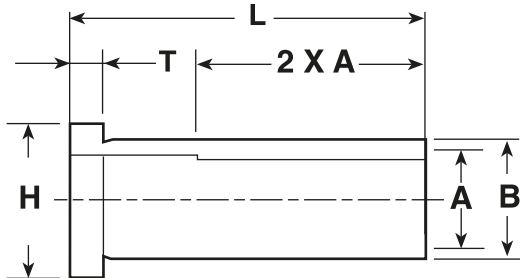
DMS (Windsor) Fax: 800-845-3807

DMS (Elk Grove Village, IL) Fax: 800-367-4199

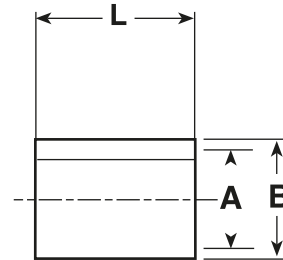


FAXABLE QUOTE FORM BUSHINGS

Shoulder Bushings



Straight Bushings



	Size	Tolerance	✓	Quantity
A =		+0.0005 -0.0000		Material
H =		+0.000 -0.010		
T =		+0.000 -0.005		
B =		+0.0005 -0.0000		Hardness/Heat Treatment
L =		+0.015 -0.030		

	Size	Tolerance	✓
A =		+0.0005 -0.0000	
B =		+0.0005 -0.0000	
L =		+0.015 -0.030	

Required by _____

Company: _____			
Address: _____			
City: _____	State/Prov.: _____	Zip/Postal Code: _____	
Phone: _____	Fax: _____	Email: _____	
Contact Name: _____	Reference #: _____		

DMS (Windsor) Fax: 800-845-3807

DMS (Elk Grove Village, IL) Fax: 800-367-4199