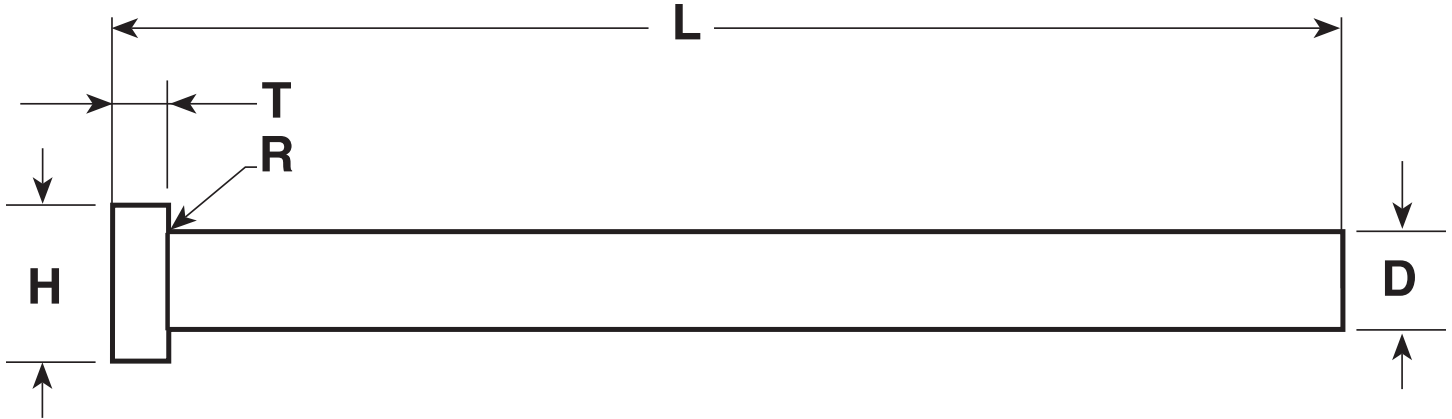




FAXABLE QUOTE FORM PARALLEL EJECTOR PINS



Size	Tolerance	✓	Special Tolerance	Quantity
D =	-.0003 -.0008	<input type="checkbox"/>	or <input type="text"/>	_____
H =	+.000 -.010	<input type="checkbox"/>	or <input type="text"/>	Material _____
T =	+.000 -.002	<input type="checkbox"/>	or <input type="text"/>	_____
L =	+.062 -.000	<input type="checkbox"/>	or <input type="text"/>	Hardness/Heat Treatment _____
R =	1/32 MAX	<input type="checkbox"/>	or <input type="text"/>	_____
				Required by _____

Company: _____

Address: _____

City: _____ State/Prov.: _____ Zip/Postal Code: _____

Phone: _____ Fax: _____ Email: _____

Contact Name: _____ Reference #: _____

DMS (Windsor)
Fax: 800-845-3807

DMS (Schaumburg)
Fax: 847-885-6075
800-367-4199

DMS (Fountain Valley)
Fax: 714-751-3861
800-953-9561

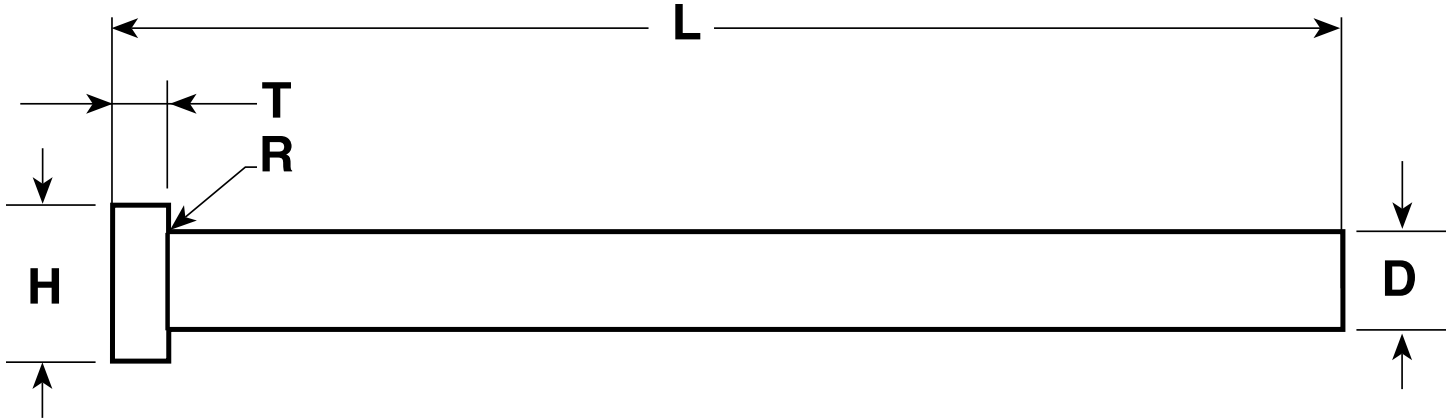
DMS (Taunton)
Fax: 800-845-3807



FAXABLE QUOTE FORM

PARALLEL EJECTOR PINS

METRIC



Size	Tolerance	✓	Special Tolerance
D =	g6		or _____
H =	+0,0 -0,2		or _____
T =	+0,0 -0,5		or _____
L =	+2,0 -0,0		or _____
R =	+0,2 -0,0		or _____

Nominal Size		g6	
Over	To	Tolerance (mm)	
0mm	3mm	-.002	-.008
3mm	6mm	-.004	-.012
6mm	10mm	-.005	-.014
10mm	18mm	-.006	-.017
18mm	30mm	-.007	-.020
30mm	50mm	-.009	-.025

Quantity _____

Material _____

Hardness/Heat Treatment _____

Required by _____

Company: _____

Address: _____

City: _____ State/Prov.: _____ Zip/Postal Code: _____

Phone: _____ Fax: _____ Email: _____

Contact Name: _____ Reference #: _____

DMS (Windsor)
Fax: 800-845-3807

DMS (Schaumburg)
Fax: 847-885-6075
800-367-4199

DMS (Fountain Valley)
Fax: 714-751-3861
800-953-9561

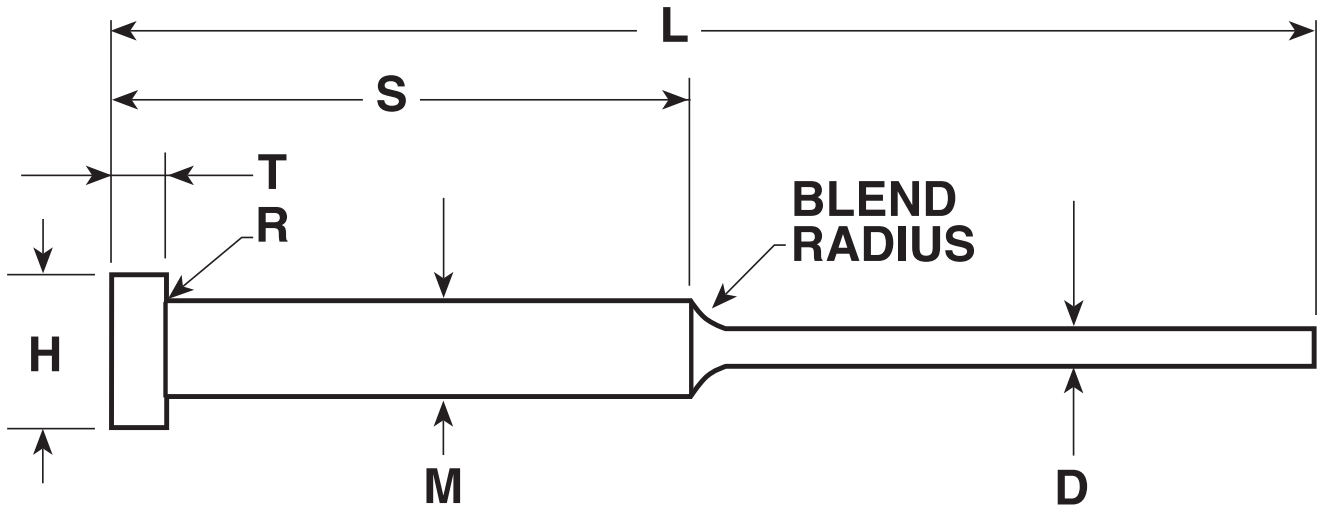
DMS (Taunton)
Fax: 800-845-3807



FAXABLE QUOTE FORM

SHOULDER EJECTOR PINS

METRIC



Size	Tolerance	✓	Special Tolerance
D =	g6		or _____
M =	+0,0 -0,1		or _____
L =	+2,0 -0,0		or _____
S =			or _____
T =	+0,0 -0,5		or _____
H =	+0,0 -0,2		or _____
R =	0,3		or _____

Nominal Size		g6	
Over	To	Tolerance (mm)	
0mm	3mm	-0,02	-0,08
3mm	6mm	-0,04	-0,12
6mm	10mm	-0,05	-0,14
10mm	18mm	-0,06	-0,17
18mm	30mm	-0,07	-0,20
30mm	50mm	-0,09	-0,25

Quantity _____

Material _____

Hardness/Heat Treatment _____

Required by _____

Company: _____

Address: _____

City: _____ State/Prov.: _____ Zip/Postal Code: _____

Phone: _____ Fax: _____ Email: _____

Contact Name: _____ Reference #: _____

DMS (Windsor)
Fax: 800-845-3807

DMS (Schaumburg)
Fax: 847-885-6075
800-367-4199

DMS (Fountain Valley)
Fax: 714-751-3861
800-953-9561

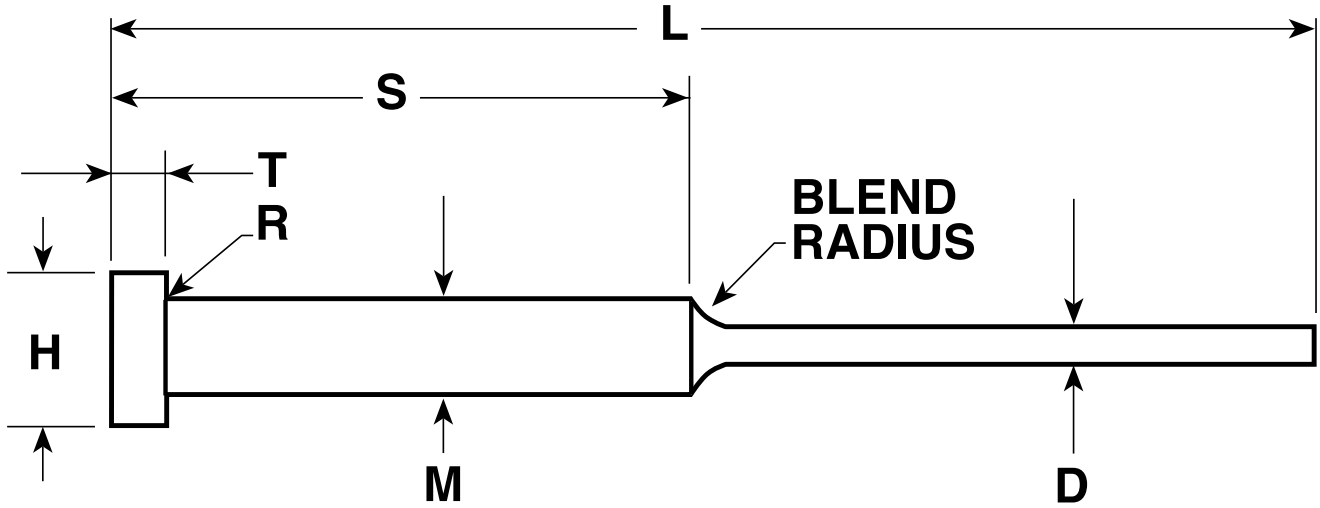
DMS (Taunton)
Fax: 800-845-3807



FAXABLE QUOTE FORM

SHOULDER EJECTOR PINS

METRIC



Size	Tolerance	✓	Special Tolerance
D =	g6		or _____
M =	+0,0 -0,1		or _____
L =	+2,0 -0,0		or _____
S =			or _____
T =	+0,0 -0,5		or _____
H =	+0,0 -0,2		or _____
R =	0,3		or _____

Nominal Size		g6	
Over	To	Tolerance (mm)	
0mm	3mm	-0,002	-0,008
3mm	6mm	-0,004	-0,012
6mm	10mm	-0,005	-0,014
10mm	18mm	-0,006	-0,017
18mm	30mm	-0,007	-0,020
30mm	50mm	-0,009	-0,025

Quantity _____

Material _____

Hardness/Heat Treatment _____

Required by _____

Company: _____

Address: _____

City: _____ State/Prov.: _____ Zip/Postal Code: _____

Phone: _____ Fax: _____ Email: _____

Contact Name: _____ Reference #: _____

DMS (Windsor)
Fax: 800-845-3807

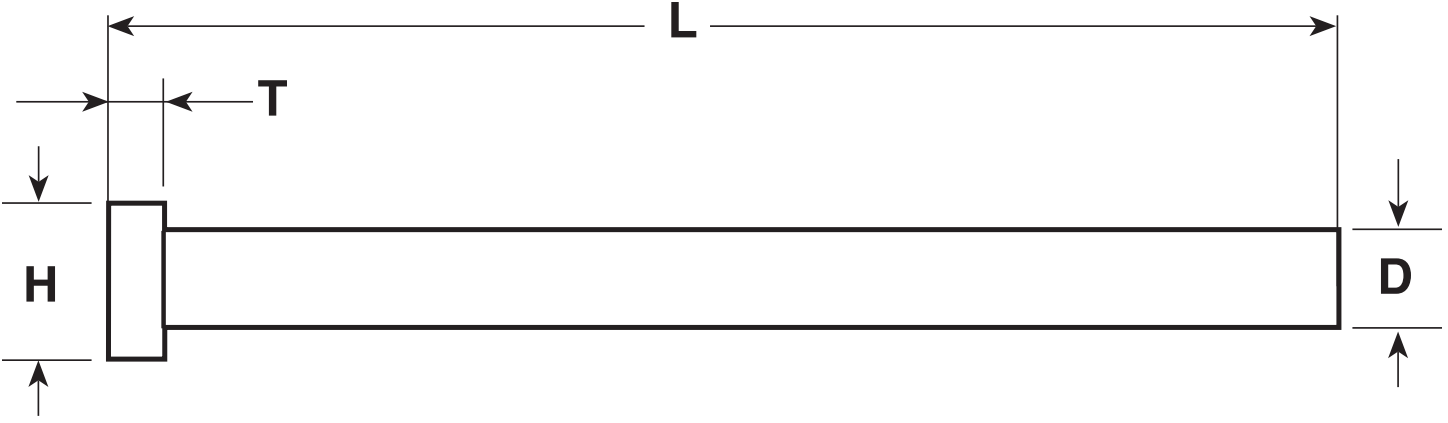
DMS (Schaumburg)
Fax: 847-885-6075
800-367-4199

DMS (Fountain Valley)
Fax: 714-751-3861
800-953-9561

DMS (Taunton)
Fax: 800-845-3807



FAXABLE QUOTE FORM CORE PINS



Size	Tolerance	✓	Special Tolerance	Quantity
D =	+ .001 - .000	<input type="checkbox"/>	or <input type="text"/>	_____
H =	+ .000 - .010	<input type="checkbox"/>	or <input type="text"/>	Material _____
T =	+ .000 - .002	<input type="checkbox"/>	or <input type="text"/>	_____
L =	+ .030 - .000	<input type="checkbox"/>	or <input type="text"/>	Hardness/Heat Treatment _____
				Required by _____

Company: _____

Address: _____

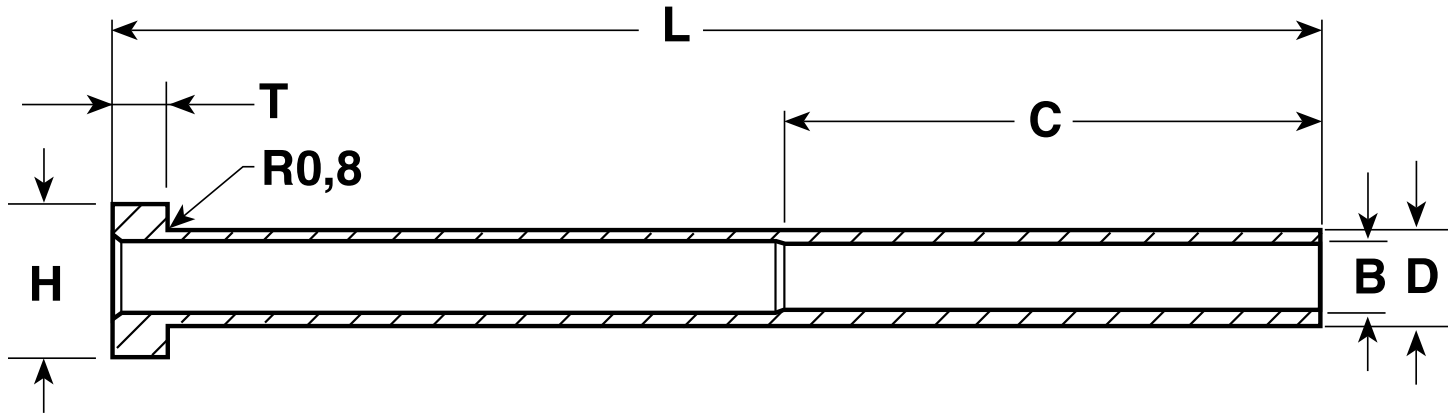
City: _____ State/Prov.: _____ Zip/Postal Code: _____

Phone: _____ Fax: _____ Email: _____

Contact Name: _____ Reference #: _____



FAXABLE QUOTE FORM PARALLEL EJECTOR SLEEVES (metric)



Size	Tolerance	✓	Special Tolerance	Quantity
D =	-0,006 -0,017	<input type="checkbox"/>	or <input type="text"/>	_____
B =	+0,008 -0,000	<input type="checkbox"/>	or <input type="text"/>	Material _____
H =	+0,0 -0,2	<input type="checkbox"/>	or <input type="text"/>	_____
T =	+0,00 -0,05	<input type="checkbox"/>	or <input type="text"/>	Hardness/Heat Treatment _____
L =	+1,0 -0,0	<input type="checkbox"/>	or <input type="text"/>	_____
C =	+ -	<input type="checkbox"/>	or <input type="text"/>	Required by _____

Company: _____

Address: _____

City: _____ State/Prov.: _____ Zip/Postal Code: _____

Phone: _____ Fax: _____ Email: _____

Contact Name: _____ Reference #: _____

DMS (Windsor)
Fax: 800-845-3807

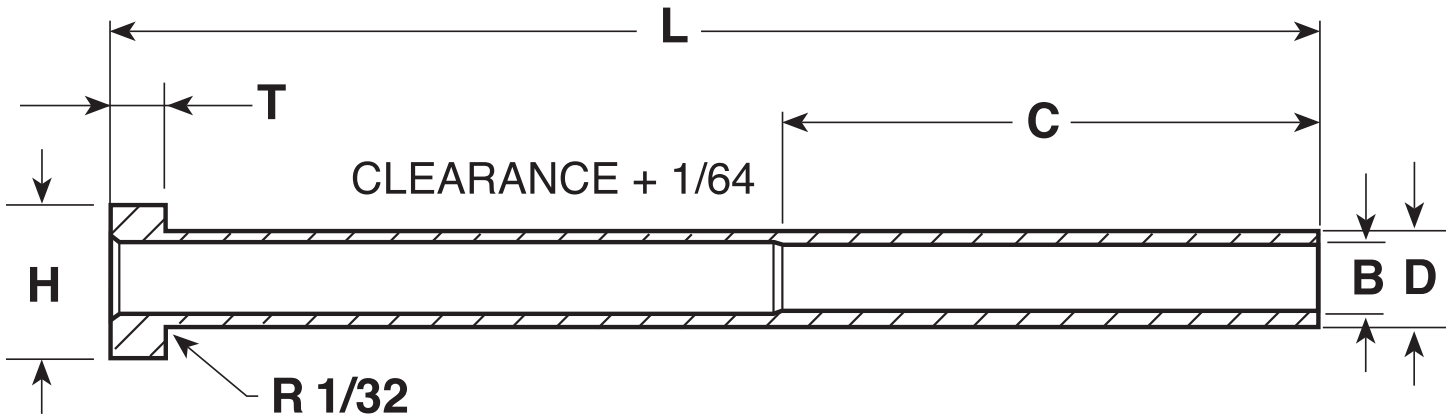
DMS (Schaumburg)
Fax: 847-466-0108
800-367-4199

DMS (Fountain Valley)
Fax: 714-751-3861
800-953-9561

DMS (Taunton)
Fax: 508-822-6547
888-469-1999



FAXABLE QUOTE FORM PARALLEL EJECTOR SLEEVES (inch)



Size	Tolerance	✓	Special Tolerance	Quantity
D =	-.0003 -.0008		or	_____
B =	+.0003 --.0000		or	Material _____
H =	+.000 -.010		or	_____
T =	+.000 -.002		or	Hardness/Heat Treatment _____
L =	+.031 -.000		or	_____
C =	+ -		or	Required by _____

Company: _____

Address: _____

City: _____ State/Prov.: _____ Zip/Postal Code: _____

Phone: _____ Fax: _____ Email: _____

Contact Name: _____ Reference #: _____

DMS (Windsor)
Fax: 800-845-3807

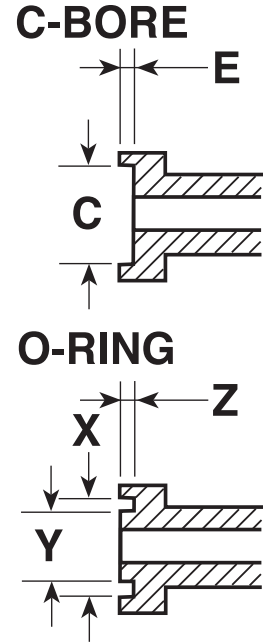
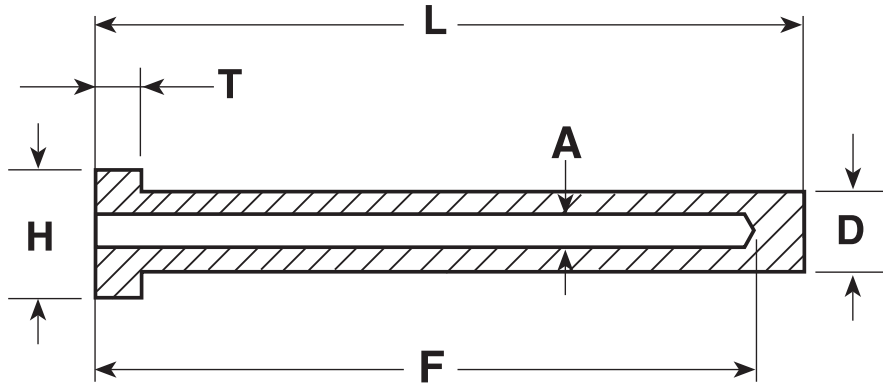
DMS (Schaumburg)
Fax: 847-885-6075
800-367-4199

DMS (Fountain Valley)
Fax: 714-751-3861
800-953-9561

DMS (Taunton)
Fax: 800-845-3807



FAXABLE QUOTE FORM WATER COOLED CORES



Size	Tolerance
D =	+ _____ - _____
H =	+ _____ - _____
T =	+ _____ - _____
L =	+ _____ - _____
F =	+ _____ - _____
A =	+ _____ - _____
C =	+ _____ - _____
E =	+ _____ - _____
X =	+ _____ - _____
Y =	+ _____ - _____
Z =	+ _____ - _____

Quantity _____

Material _____

Hardness/Heat Treatment _____

Required by _____

Company: _____

Address: _____

City: _____ State/Prov.: _____ Zip/Postal Code: _____

Phone: _____ Fax: _____ Email: _____

Contact Name: _____ Reference #: _____

DMS (Windsor)
Fax: 800-845-3807

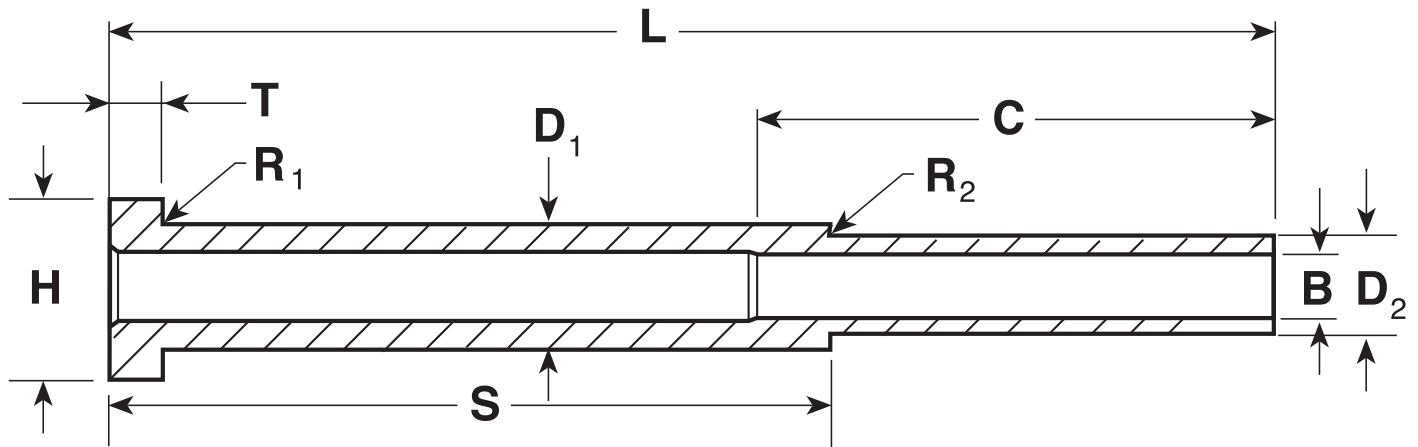
DMS (Schaumburg)
Fax: 847-885-6075
800-367-4199

DMS (Fountain Valley)
Fax: 714-751-3861
800-953-9561

DMS (Taunton)
Fax: 800-845-3807



FAXABLE QUOTE FORM SHOULDER EJECTOR SLEEVES



Size	Tolerance	✓	Special Tolerance	Quantity
$D_1 =$	+ .000 - .001	<input type="checkbox"/>	or <input type="text"/>	<input type="text"/>
$D_2 =$	- .0003 - .0006	<input type="checkbox"/>	or <input type="text"/>	Material <input type="text"/>
$B =$	+ .0003 - .0000	<input type="checkbox"/>	or <input type="text"/>	Hardness/Heat Treatment <input type="text"/>
$H =$	+ .000 - .010	<input type="checkbox"/>	or <input type="text"/>	Required by <input type="text"/>
$T =$	+ .000 - .002	<input type="checkbox"/>	or <input type="text"/>	<input type="text"/>
$L =$	+ .031 - .000	<input type="checkbox"/>	or <input type="text"/>	<input type="text"/>
$C =$	+ -	<input type="checkbox"/>	or <input type="text"/>	<input type="text"/>
$R_1 =$	1/32	<input type="checkbox"/>	or <input type="text"/>	<input type="text"/>
$R_2 =$	1/32	<input type="checkbox"/>	or <input type="text"/>	<input type="text"/>
$S =$	+ -	<input type="checkbox"/>	or <input type="text"/>	<input type="text"/>

Company: _____

Address: _____

City: _____ State/Prov.: _____ Zip/Postal Code: _____

Phone: _____ Fax: _____ Email: _____

Contact Name: _____ Reference #: _____

DMS (Windsor)
Fax: 800-845-3807

DMS (Schaumburg)
Fax: 847-885-6075
800-367-4199

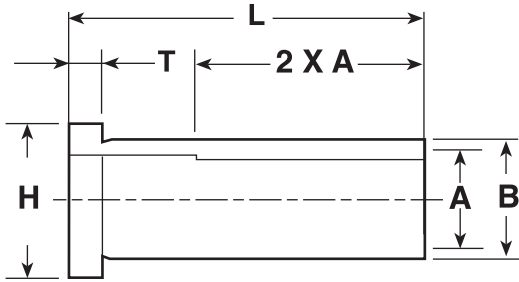
DMS (Fountain Valley)
Fax: 714-751-3861
800-953-9561

DMS (Taunton)
Fax: 800-845-3807

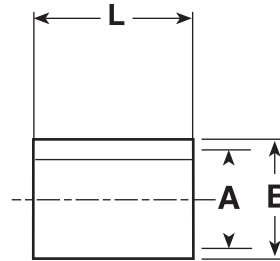


FAXABLE QUOTE FORM BUSHINGS

Shoulder Bushings



Straight Bushings



Size	Tolerance	✓	Quantity	Size	Tolerance	✓
A =	+.0005 -.0000		Material	A =	+.0005 -.0000	
H =	+.000 -.010			B =	+.0005 -.0000	
T =	+.000 -.005			L =	+.015 -.030	
B =	+.0005 -.0000		Hardness/Heat Treatment			
L =	+.015 -.030					

Required by _____

Company: _____

Address: _____

City: _____ State/Prov.: _____ Zip/Postal Code: _____

Phone: _____ Fax: _____ Email: _____

Contact Name: _____ Reference #: _____

DMS (Windsor)
Fax: 800-845-3807

DMS (Schaumburg)
Fax: 847-885-6075
800-367-4199

DMS (Fountain Valley)
Fax: 714-751-3861
800-953-9561

DMS (Taunton)
Fax: 800-845-3807