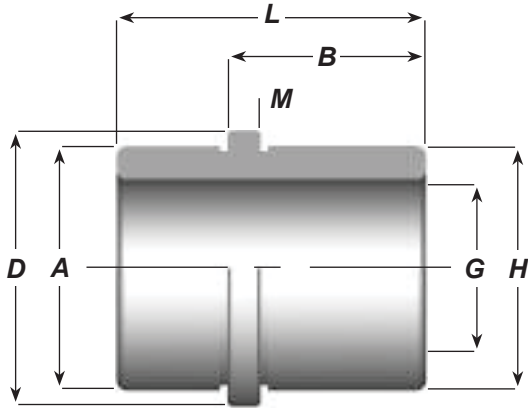


GUIDED EJECTOR BUSHINGS

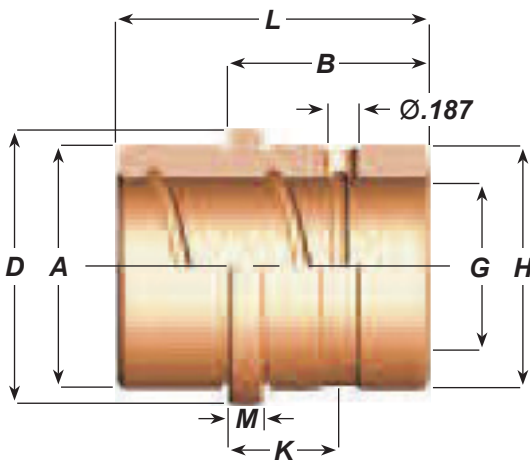
STEEL



Nominal I.D.	G	H	A	D	L	B	M	Catalog Number
	+0.001 0.000	+0.0005 -0.0000	+0.000 -0.001	+0.000 -0.010	+0.000 -0.030	+0.000 -0.015	+0.000 -0.005	
3/4	0.751	1.126	1.124	1.302	1.50	1.00	0.187	GEB-06
7/8	0.876	1.251	1.249	1.427	1.50	1.00	0.187	GEB-07
1"	1.001	1.376	1.374	1.552	1.75	1.12	0.187	GEB-08
1-1/4	1.251	1.626	1.624	1.802	1.75	1.12	0.187	GEB-10
1-1/2	1.501	2.001	1.999	2.177	1.75	1.12	0.187	GEB-12

GUIDED EJECTOR BUSHINGS

SOLID BRONZE



Nominal I.D.	G	H	A	D	L	B	M	K	Catalog Number
	+0.0005 -0.0000	+0.0005 -0.0000	+0.000 -0.001	+0.000 -0.010	+0.000 -0.030	+0.000 -0.015	+0.000 -0.005		
1/2	0.501	0.7505	0.749	0.853	1.50	1.00	0.187	0.56	GEB05SB
3/4	0.751	1.126	1.124	1.302	1.50	1.00	0.187	0.560	GEB-06SB
7/8	0.876	1.251	1.249	1.427	1.50	1.00	0.187	0.560	GEB-07SB
1"	1.001	1.376	1.374	1.552	1.75	1.12	0.187	0.620	GEB-08SB
1-1/4	1.251	1.626	1.624	1.802	1.75	1.12	0.187	0.620	GEB-10SB
1-1/2	1.501	2.001	1.999	2.177	1.75	1.12	0.187	0.620	GEB-12SB
1-1/2	1.501	2.001	1.999	2.177	2.5	1.875	0.187	0.620	GEB12SBX
2"	2.001	2.501	2.499	2.687	2.25	1.62	0.187	0.800	GEB-20SB