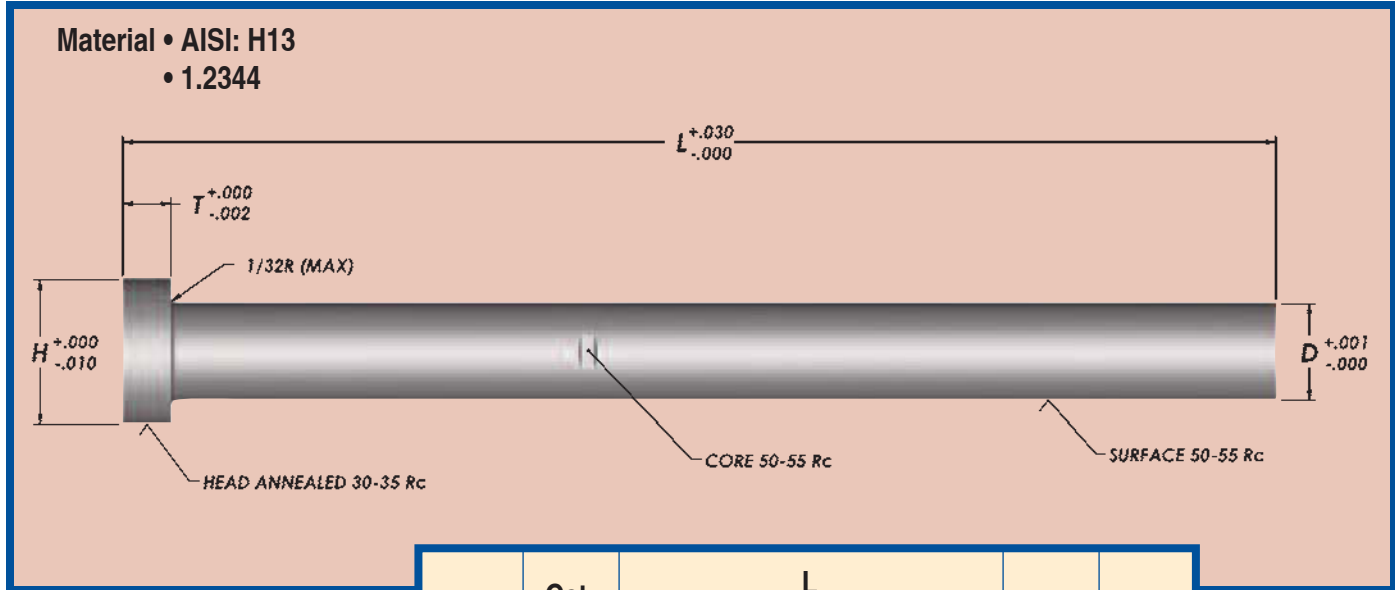




# Core Pins

## High Hardness (Hard)

### Inch



| D     | Cat. No. | L   |     |     |     | H     | T    |
|-------|----------|-----|-----|-----|-----|-------|------|
|       |          | 3"  | 6"  | 10" | 14" |       |      |
| 3/32  | CPH09    | L03 | L06 | L10 |     | 1/4   | 1/8  |
| 7/64  | CPH10    | L03 | L06 | L10 |     | 1/4   | 1/8  |
| 1/8   | CPH12    | L03 | L06 | L10 | L14 | 1/4   | 1/8  |
| 9/64  | CPH14    | L03 | L06 | L10 | L14 | 1/4   | 1/8  |
| 5/32  | CPH15    | L03 | L06 | L10 | L14 | 9/32  | 5/32 |
| 11/64 | CPH17    | L03 | L06 | L10 | L14 | 11/32 | 3/16 |
| 3/16  | CPH18    | L03 | L06 | L10 | L14 | 3/8   | 3/16 |
| 13/64 | CPH20    | L03 | L06 | L10 | L14 | 3/8   | 3/16 |
| 7/32  | CPH21    | L03 | L06 | L10 | L14 | 13/32 | 3/16 |
| 1/4   | CPH25    | L03 | L06 | L10 | L14 | 7/16  | 3/16 |
| 9/32  | CPH28    | L03 | L06 | L10 | L14 | 7/16  | 1/4  |
| 5/16  | CPH31    | L03 | L06 | L10 | L14 | 1/2   | 1/4  |
| 11/32 | CPH34    | L03 | L06 | L10 | L14 | 9/16  | 1/4  |
| 3/8   | CPH37    | L03 | L06 | L10 | L14 | 5/8   | 1/4  |
| 13/32 | CPH40    | L03 | L06 | L10 | L14 | 11/16 | 1/4  |
| 7/16  | CPH43    | L03 | L06 | L10 | L14 | 11/16 | 1/4  |
| 15/32 | CPH46    | L03 | L06 | L10 | L14 | 3/4   | 1/4  |
| 1/2   | CPH50    | L03 | L06 | L10 | L14 | 3/4   | 1/4  |
| 9/16  | CPH56    |     | L06 | L10 | L14 | 13/16 | 1/4  |
| 5/8   | CPH62    |     | L06 | L10 | L14 | 7/8   | 1/4  |
| 3/4   | CPH75    |     | L06 | L10 | L14 | 1     | 1/4  |
| 7/8   | CPH87    |     | L06 | L10 | L14 | 1-1/8 | 1/4  |
| 1"    | CPH100   |     | L06 | L10 | L14 | 1-1/4 | 1/4  |

To order, add overall length L to Catalog Number. Example: CPH09L03