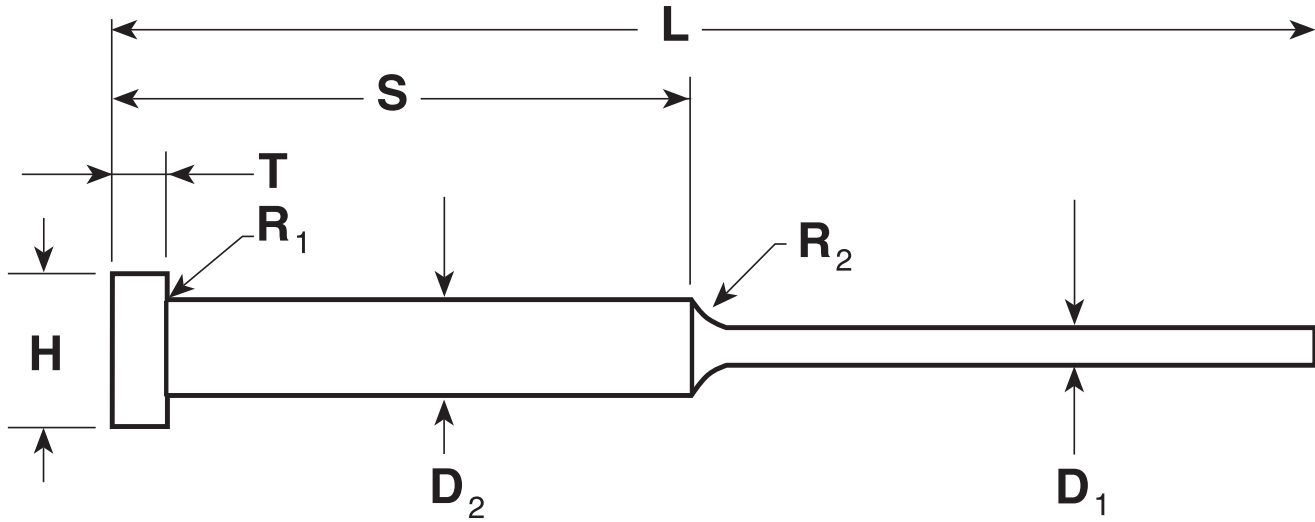




# FAXABLE QUOTE FORM SHOULDER EJECTOR PINS



Size	Tolerance	✓	Special Tolerance
D <sub>1</sub> =	-.0003 -.0008	<input type="checkbox"/>	or <input type="text"/>
D <sub>2</sub> =	+.000 -.001	<input type="checkbox"/>	or <input type="text"/>
L =	+.060 -.000	<input type="checkbox"/>	or <input type="text"/>
S =	+.000 -.020	<input type="checkbox"/>	or <input type="text"/>
T =	+.000 -.002	<input type="checkbox"/>	or <input type="text"/>
H =	+.000 -.010	<input type="checkbox"/>	or <input type="text"/>
R <sub>1</sub> =	1/32 MAX	<input type="checkbox"/>	or <input type="text"/>
R <sub>2</sub> =	BLEND RADIUS	<input type="checkbox"/>	or <input type="text"/>

Quantity \_\_\_\_\_

Material \_\_\_\_\_

Hardness/Heat Treatment \_\_\_\_\_

Required by \_\_\_\_\_

Company: \_\_\_\_\_

Address: \_\_\_\_\_

City: \_\_\_\_\_ State/Prov.: \_\_\_\_\_ Zip/Postal Code: \_\_\_\_\_

Phone: \_\_\_\_\_ Fax: \_\_\_\_\_ Email: \_\_\_\_\_

Contact Name: \_\_\_\_\_ Reference #: \_\_\_\_\_

DMS (Windsor) Fax: 800-845-3807

DMS (Elk Grove Village, IL) Fax: 800-367-4199