



FB2 Series Manifold

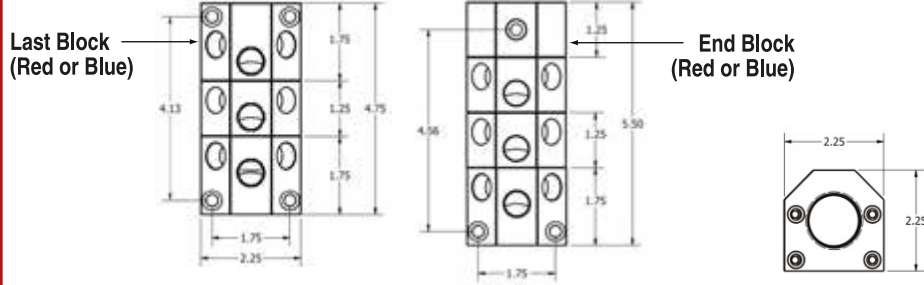


Specifications

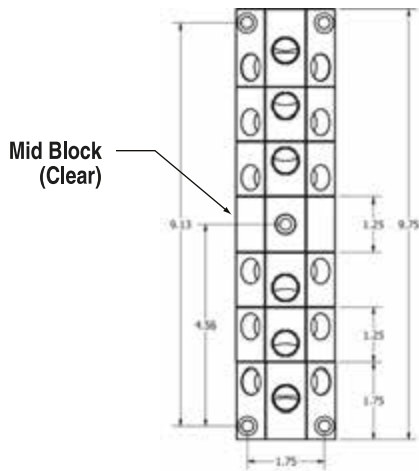
Block Size: 2.25" W x 2.25" H
 Material: 6061-T6, Anodized
 Mounting Hole Size: 1/4" SHCS
 Inlet Hole: 1" NPT
 Outlet Hole: 1/4" or 3/8"
 (5) Outlet Holes per Standard Block
 (3) Outlet Holes per 90 Degree Block

Port-to-Port (PP)

Port-to-Blank (PB)



Port-to-Divide (PD)



Port-to-Divide



1/4" Outlet

Assembly No.

FB2-1-4-PD
 FB2-2-4-PD
 FB2-3-4-PD
 FB2-4-4-PD
 FB2-5-4-PD

3/8" Outlet

Assembly No.

FB2-1-6-PD
 FB2-2-6-PD
 FB2-3-6-PD
 FB2-4-6-PD
 FB2-5-6-PD

Port-to-Port



1/4" Outlet, Red

Assembly No.

FB2-2-4-R-PP
 FB2-3-4-R-PP
 FB2-4-4-R-PP
 FB2-5-4-R-PP

3/8" Outlet, Red

Assembly No.

FB2-2-6-R-PP
 FB2-3-6-R-PP
 FB2-4-6-R-PP
 FB2-5-6-R-PP

1/4" Outlet, Blue

Assembly No.

FB2-2-4-B-PP
 FB2-3-4-B-PP
 FB2-4-4-B-PP
 FB2-5-4-B-PP

3/8" Outlet, Blue

Assembly No.

FB2-2-6-B-PP
 FB2-3-6-B-PP
 FB2-4-6-B-PP
 FB2-5-6-B-PP

Port-to-Blank



1/4" Outlet, Red

Assembly No.

FB2-1-4-R-PB
 FB2-2-4-R-PB
 FB2-3-4-R-PB
 FB2-4-4-R-PB
 FB2-5-4-R-PB

3/8" Outlet, Red

Assembly No.

FB2-1-6-R-PB
 FB2-2-6-R-PB
 FB2-3-6-R-PB
 FB2-4-6-R-PB
 FB2-5-6-R-PB

1/4" Outlet, Blue

Assembly No.

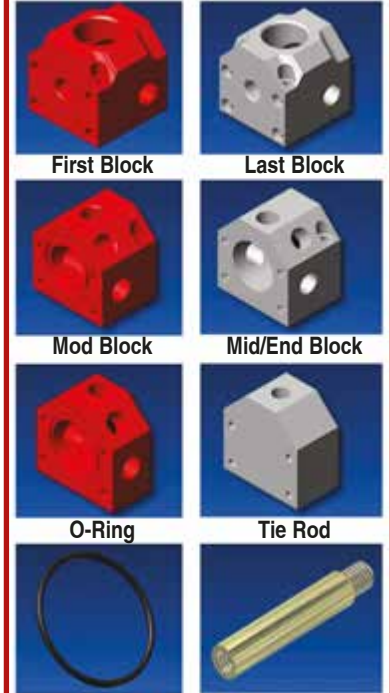
FB2-1-4-B-PB
 FB2-2-4-B-PB
 FB2-3-4-B-PB
 FB2-4-4-B-PB
 FB2-5-4-B-PB

3/8" Outlet, Blue

Assembly No.

FB2-1-6-B-PB
 FB2-2-6-B-PB
 FB2-3-6-B-PB
 FB2-4-6-B-PB
 FB2-5-6-B-PB

90 Deg First Block 90 Deg Last Block



Assembly includes o-rings and hardware required for each block.

90 Deg First Block

Part Number	Outlet Size	Color
FB2-FB90-1-4-R	1/4"	Red
FB2-FB90-1-4-B	1/4"	Blue
FB2-FB90-1-6-R	3/8"	Red
FB2-FB90-1-6-B	3/8"	Blue

90 Deg Last Block

Part Number	Outlet Size	Color
FB2-FB90-1-4-CL	1/4"	Clear
FB2-FB90-1-6-CL	3/8"	Clear

First Block

Part Number	Outlet Size	Color
FB2-FB-1-4-R	1/4"	Red
FB2-FB-1-4-B	1/4"	Blue
FB2-FB-1-6-R	3/8"	Red
FB2-FB-1-6-B	3/8"	Blue

Mod Block

Part Number	Outlet Size	Color
FB2-MOD-4-R	1/4"	Red
FB2-MOD-4-B	1/4"	Blue
FB2-MOD-6-R	3/8"	Red
FB2-MOD-6-B	3/8"	Blue

Last Block (Port-to-Port only)

Part Number	Outlet Size	Color
FB2-LB-1-4-CL	1/4"	Clear
FB2-LB-1-6-CL	3/8"	Clear

Mid/End Block

Part Number	Outlet Size	Color
FB2-EB-1-CL	n/a	Clear



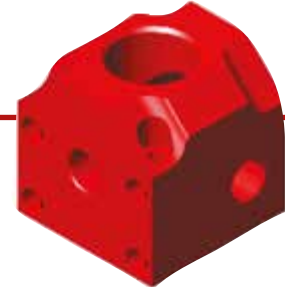
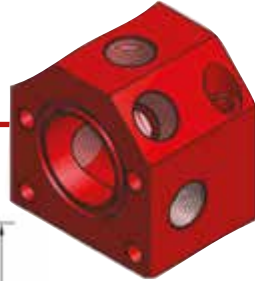
koolfowmanifold.com



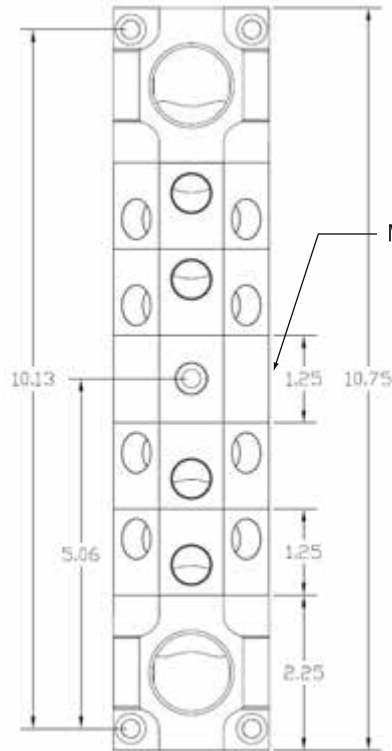
FB2 90° Series

Specifications

Block Size: 2.25" W x 2.25" H
 Material: 6061-T6, Anodized
 Mounting Hole Size: 1/4" SHCS
 Inlet Hole: 1" NPT
 Outlet Hole: 1/4" or 3/8"
 (5) Outlet Holes per Standard Block
 (3) Outlet Holes per 90 Degree Block



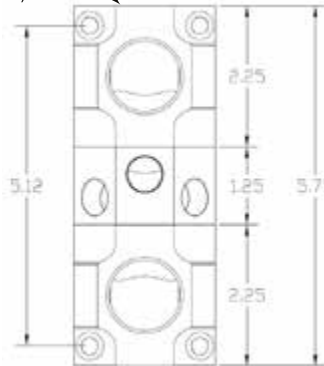
Port-to-Divide (PD)



Mid Block
(Clear)

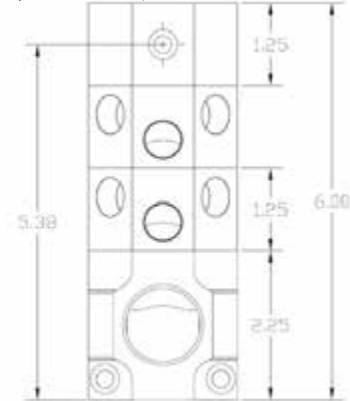
Port-to-Port (PP)

End Block
(Red or Blue)



Port-to-Blank (PB)

Last Block
(Red or Blue)



Port-to-Divide



Port-to-Port



Port-to-Blank



1/4" Outlet **3/8" Outlet**
Assembly No.
 FB290-1-4-PD FB290-1-6-PD
 FB290-2-4-PD FB290-2-6-PD
 FB290-3-4-PD FB290-3-6-PD
 FB290-4-4-PD FB290-4-6-PD
 FB290-5-4-PD FB290-5-6-PD

1/4" Outlet, Red **3/8" Outlet, Red**
Assembly No.
 FB290-2-4-R-PP FB290-2-6-R-PP
 FB290-3-4-R-PP FB290-3-6-R-PP
 FB290-4-4-R-PP FB290-4-6-R-PP
 FB290-5-4-R-PP FB290-5-6-R-PP
1/4" Outlet, Blue **3/8" Outlet, Blue**
Assembly No.
 FB290-2-4-B-PP FB290-2-6-B-PP
 FB290-3-4-B-PP FB290-3-6-B-PP
 FB290-4-4-B-PP FB290-4-6-B-PP
 FB290-5-4-B-PP FB290-5-6-B-PP

1/4" Outlet, Red **3/8" Outlet, Red**
Assembly No.
 FB290-1-4-R-PB FB290-1-6-R-PB
 FB290-2-4-R-PB FB290-2-6-R-PB
 FB290-3-4-R-PB FB290-3-6-R-PB
 FB290-4-4-R-PB FB290-4-6-R-PB
 FB290-5-4-R-PB FB290-5-6-R-PB
1/4" Outlet, Blue **3/8" Outlet, Blue**
Assembly No.
 FB290-1-4-B-PB FB290-1-6-B-PB
 FB290-2-4-B-PB FB290-2-6-B-PB
 FB290-3-4-B-PB FB290-3-6-B-PB
 FB290-4-4-B-PB FB290-4-6-B-PB
 FB290-5-4-B-PB FB290-5-6-B-PB