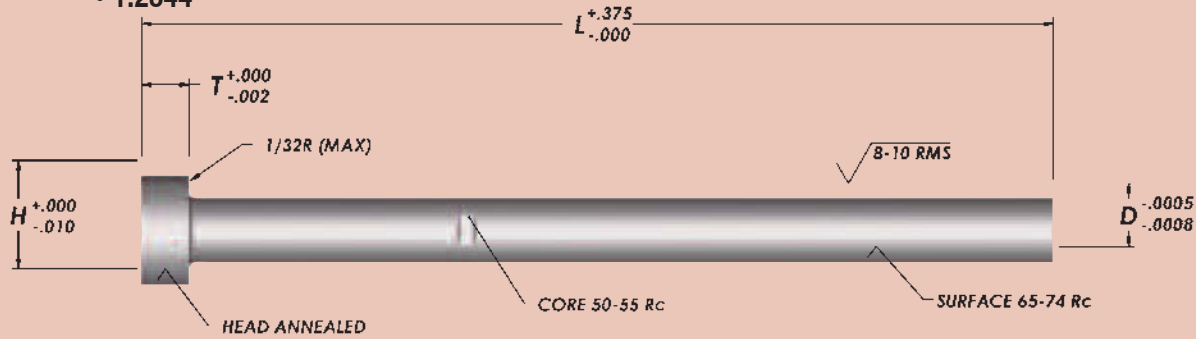




# Ejector Pins Through Hard - Parallel Inch

Material • AISI: H13  
• 1.2344



D	Cat. No.	L						H	T	
		6"		10"		14"				18"
		STD.	+0.005	STD.	+0.005	STD.	+0.005			
1/32	RHX-02	<b>L06</b>	<b>L065</b>					1/4	1/8	
3/64	RHX-03	L06	<b>L065</b>					1/4	1/8	
1/16	RHX-05	L06		L10	L105			1/4	1/8	
5/64	RHX-06	L06		L10	L105			1/4	1/8	
3/32	RHX-07	L06		L10	L105			1/4	1/8	
7/64	RHX-08	L06		L10	L105			1/4	1/8	
1/8	RHX-09	L06		L10	L105	L14	L145	1/4	1/8	
9/64	RHX-10	L06		L10	L105	L14	<b>L145</b>	1/4	1/8	
5/32	RHX-11	L06		L10	L105	L14	L145	9/32	5/32	
11/64	RHX-12	L06		L10	L105	L14	<b>L145</b>	11/32	3/16	
3/16	RHX-13	L06		L10	L105	L14	L145	3/8	3/16	
13/64	RHX-14	L06		L10		L14	<b>L145</b>	3/8	3/16	
7/32	RHX-15	L06		L10	L105	L14	<b>L145</b>	13/32	3/16	
15/64	RHX-16	L06		L10		L14	<b>L145</b>	13/32	3/16	
1/4	RHX-17	L06		L10	L105	L14	L145	<b>L18</b>	7/16	3/16
17/64	RHX-18	L06		L10		L14	<b>L145</b>	7/16	1/4	
9/32	RHX-19	L06		L10	L105	L14	<b>L145</b>	7/16	1/4	
19/64	RHX-20	L06		L10		L14	<b>L145</b>	1/2	1/4	
5/16	RHX-21	L06		L10	L105	L14	L145	<b>L18</b>	1/2	1/4
21/64	RHX-22	L06		L10		L14	<b>L145</b>	9/16	1/4	
11/32	RHX-23	L06		L10	L105	L14	<b>L145</b>	9/16	1/4	
23/64	RHX-24	L06		L10		L14	<b>L145</b>	5/8	1/4	
3/8	RHX-25	L06		L10	L105	L14	L145	<b>L18</b>	5/8	1/4
25/64	RHX-26	L06		L10		<b>L14</b>	<b>L145</b>	37/64	1/4	
13/32	RHX-27	L06		L10	L105	L14	<b>L145</b>	11/16	1/4	
27/64	RHX-28	L06		L10		<b>L14</b>	<b>L145</b>	11/16	1/4	
7/16	RHX-29	L06		L10	L105	L14	L145	11/16	1/4	
29/64	RHX-30	L06		L10		<b>L14</b>	<b>L145</b>	45/64	1/4	
15/32	RHX-31	L06		L10	L105	L14	<b>L145</b>	3/4	1/4	
31/64	RHX-32	L06		L10		<b>L14</b>	<b>L145</b>	3/4	1/4	
1/2	RHX-33	L06		L10	L105	L14	L145	<b>L18</b>	3/4	1/4
17/32	RHX-34	<b>L06</b>		<b>L10</b>		<b>L14</b>		3/4	1/4	
9/16	RHX-35	<b>L06</b>		<b>L10</b>		<b>L14</b>		13/16	1/4	
5/8	RHX-37	<b>L06</b>		<b>L10</b>		<b>L14</b>		<b>L18</b>	7/8	1/4
11/16	RHX-39	<b>L06</b>		<b>L10</b>		<b>L14</b>		15/16	1/4	
3/4	RHX-41	<b>L06</b>		<b>L10</b>		<b>L14</b>		<b>L18</b>	1	1/4
7/8	RHX-45	<b>L06</b>		<b>L10</b>		<b>L14</b>		1-1/8	1/4	
1	RHX-47	<b>L06</b>		<b>L10</b>		<b>L14</b>		1-1/4	1/4	

• To order, add overall length "L" to Catalog Number. Example: RHX-03L06