

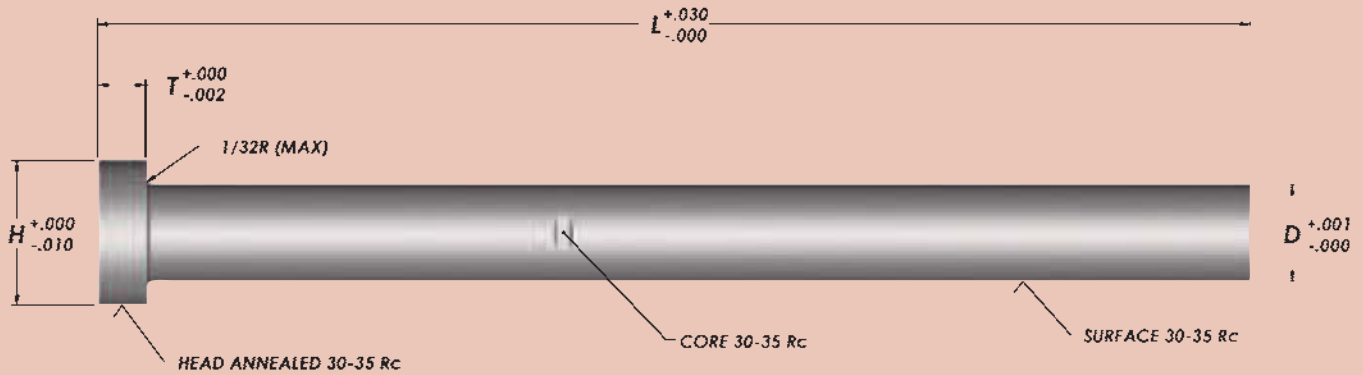


Core Pins

Standard Hardness (Soft)

Inch

Material • AISI: H13
• 1.2344



D	Cat. No.	L				H	T
		3"	6"	10"	14"		
3/32	CPS09	L03	L06	L10		1/4	1/8
7/64	CPS10	L03	L06	L10		1/4	1/8
1/8	CPS12	L03	L06	L10	L14	1/4	1/8
9/64	CPS14	L03	L06	L10	L14	1/4	1/8
5/32	CPS15	L03	L06	L10	L14	9/32	5/32
11/64	CPS17	L03	L06	L10	L14	11/32	3/16
3/16	CPS18	L03	L06	L10	L14	3/8	3/16
13/64	CPS20	L03	L06	L10	L14	3/8	3/16
7/32	CPS21	L03	L06	L10	L14	13/32	3/16
1/4	CPS25	L03	L06	L10	L14	7/16	3/16
9/32	CPS28	L03	L06	L10	L14	7/16	1/4
5/16	CPS31	L03	L06	L10	L14	1/2	1/4
11/32	CPS34	L03	L06	L10	L14	9/16	1/4
3/8	CPS37	L03	L06	L10	L14	5/8	1/4
13/32	CPS40	L03	L06	L10	L14	11/16	1/4
7/16	CPS43	L03	L06	L10	L14	11/16	1/4
15/32	CPS46	L03	L06	L10	L14	3/4	1/4
1/2	CPS50	L03	L06	L10	L14	3/4	1/4
9/16	CPS56		L06	L10	L14	13/16	1/4
5/8	CPS62		L06	L10	L14	7/8	1/4
3/4	CPS75		L06	L10	L14	1	1/4
7/8	CPS87		L06	L10	L14	1-1/8	1/4
1"	CPS100		L06	L10	L14	1-1/4	1/4

To order, add overall length L to Catalog Number. Example: CPH09L03