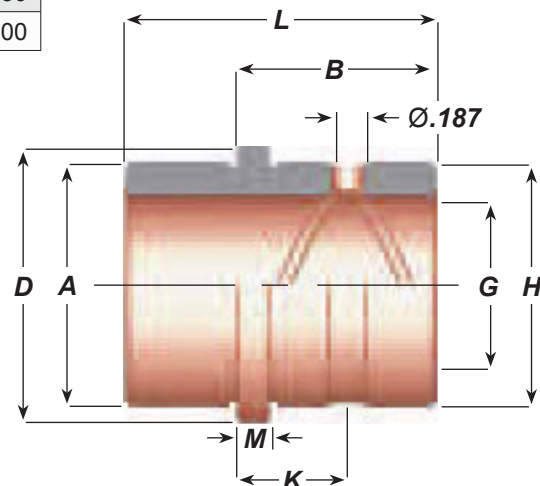


GUIDED EJECTOR BUSHINGS

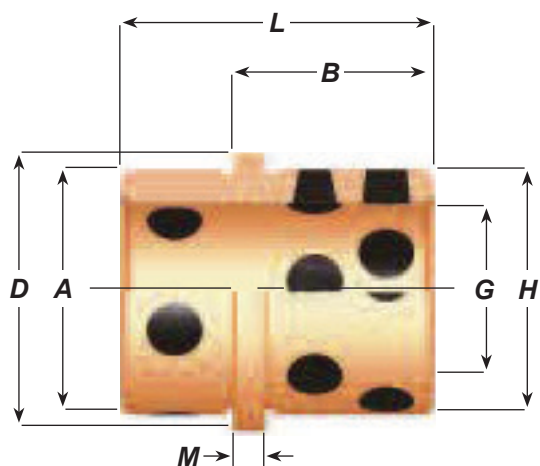
BRONZE-PLATED

Nominal I.D.	G	H	A	D	L	B	M	K	Catalog Number
	+0.005 -0.000	+0.005 -0.000	+0.000 -0.001	+0.000 -0.010	+0.000 -0.030	+0.000 -0.015	+0.000 -0.005		
3/4	0.751	1.126	1.124	1.302	1.50	1.00	0.187	0.560	ELB-750
7/8	0.876	1.251	1.249	1.427	1.50	1.00	0.187	0.560	ELB-875
1"	1.001	1.376	1.374	1.552	1.75	1.12	0.187	0.620	ELB-100
1-1/4	1.251	1.626	1.624	1.802	1.75	1.12	0.187	0.620	ELB-125
1-1/2	1.501	2.001	1.999	2.177	1.75	1.12	0.187	0.620	ELB-150
2"	2.001	2.501	2.499	2.687	2.25	1.62	0.187	0.800	ELB-200



GUIDED EJECTOR BUSHINGS

SELF-LUBRICATING



Nominal I.D.	G	H	A	D	L	B	M	Catalog Number
	+0.005 -0.000	+0.005 -0.000	+0.000 -0.001	+0.000 -0.010	+0.000 -0.030	+0.000 -0.015	+0.000 -0.005	
3/4	0.751	1.126	1.124	1.302	1.500	1.000	0.187	GEB-06SL
7/8	0.876	1.251	1.249	1.427	1.500	1.000	0.187	GEB-07SL
1"	1.001	1.376	1.374	1.552	1.750	1.125	0.187	GEB-08SL
1"	1.001	1.376	1.374	1.552	2.000	1.625	0.187	GEB-08SLX
1-1/4	1.251	1.626	1.624	1.802	1.750	1.125	0.187	GEB-10SL
1-1/4	1.251	1.626	1.624	1.802	2.500	1.875	0.187	GEB-10SLX
1-1/2	1.501	2.001	1.999	2.177	1.750	1.125	0.187	GEB-12SL
1-1/2	1.501	2.001	1.999	2.177	2.500	1.875	0.187	GEB-12SLX
2"	2.001	2.501	2.499	2.687	2.250	1.625	0.187	GEB-20SL