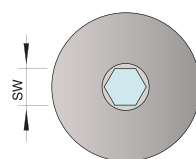
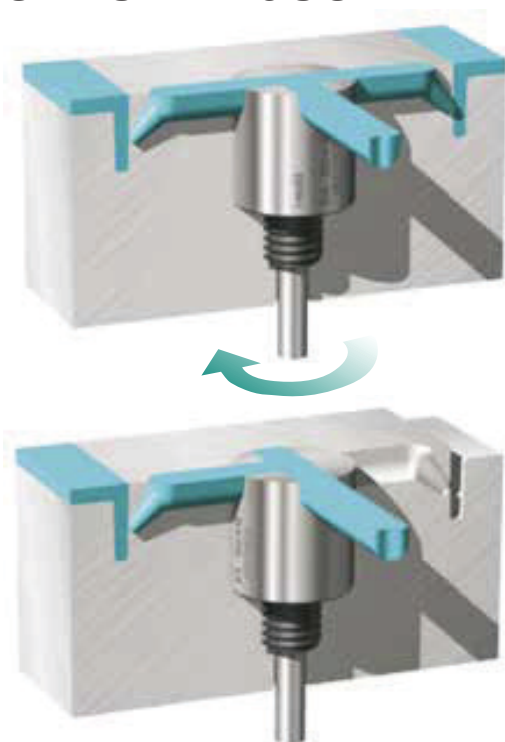


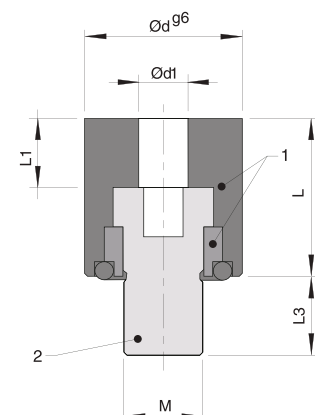
# SPRUE ADJUSTER



**WITHOUT BORE FOR FIXED HALF INSTALLATION**

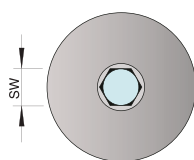
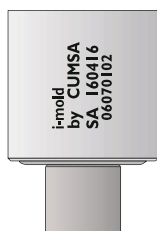
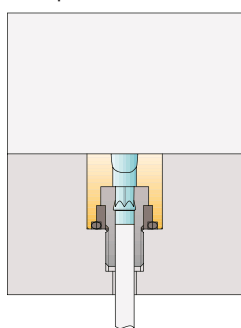
Material:  
1: 1.4034 48 ± 3 HRC  
2: 1.3505 58 ± 2 HRC

Cat. No.	d	d1	L	L1	L3	M	SW
SA120014	12	4	14	5	6	6	3
SA160016	16	5	16	7	8	8	4
SA200018	20	6	18	9	10	10	5



## INSTALLATION EXAMPLES

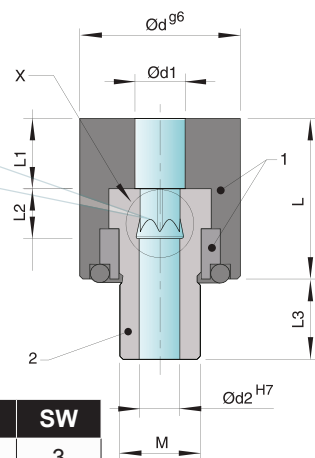
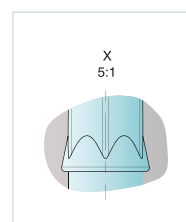
One Half trapezoidal runner



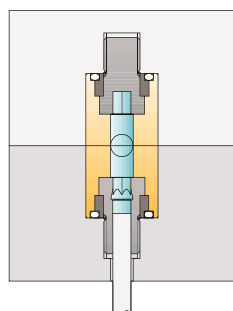
**WITH EJECOR BORE AND RETAINER**

Material:  
1: 1.4034 48 ± 3 HRC  
2: 1.3505 58 ± 2 HRC

Cat. No.	d	d1	d2	L	L1	L2	L3	M	SW
SA120314	12	4	3	14	5	6	6	6	3
SA160416	16	5	4	16	7	5	8	8	4
SA200518	20	6	5	18	9	5	10	10	5



Both Halves full round runner



## SPRUE ADJUSTER RANGE OF APPLICATION

Sample: both, left, right, close

Sample: left or right

Sample: open or close

