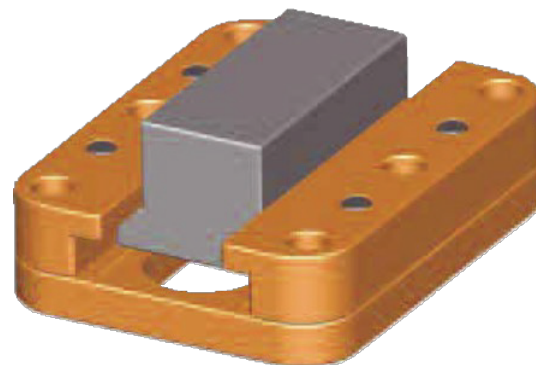


# GIB ASSEMBLIES

- › Gib Assemblies are supplied assembled with (2) L-Gibs, (1) Base Plate, (4) 1/4" Dowels and (1) Slide.
- › Each item can also be ordered separately.
- › Assemblies come pre-doweled and pre-drilled with clearance holes for 5/16" screw.
- › Slide unit is P20 steel, HRC 20-28.
- › Base and L-Gibs are Aluminum Bronze material.



Catalog Number				A	B	L
Assembly	Slide	Base	L-Gib			
GA35	GAS25	GAB35	GAL35	-	3.125	3.50
GA40	GAS25	GAB40	GAL40	2.00	3.625	4.00
GA45	GAS25	GAB45	GAL45	2.25	4.125	4.50

