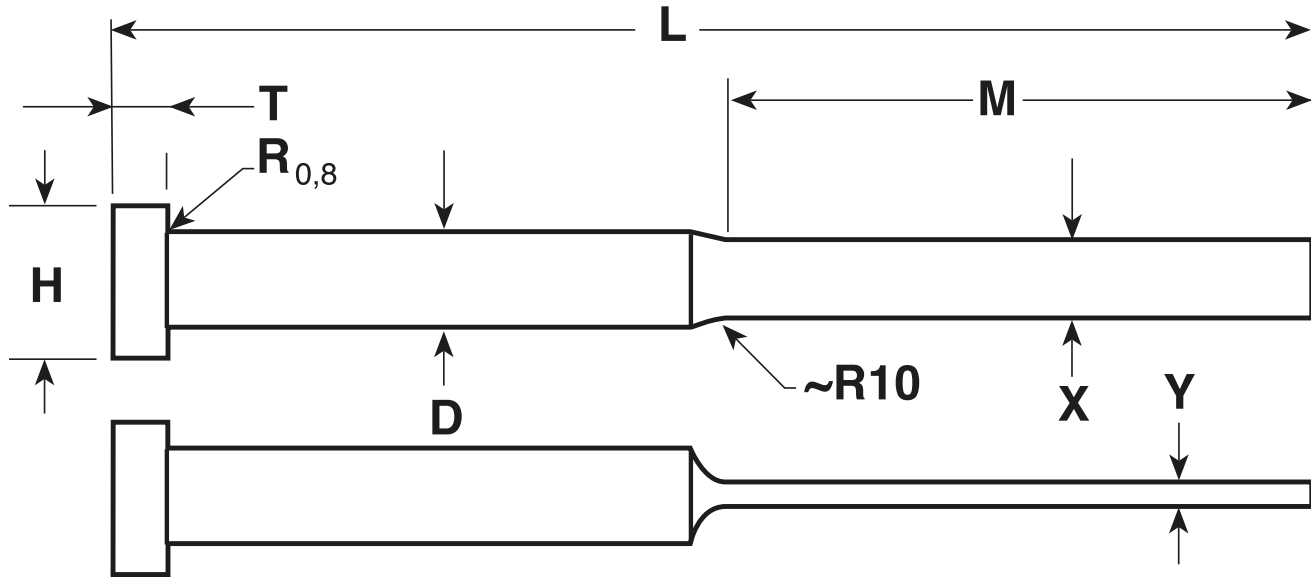




FAXABLE QUOTE FORM

BLADE EJECTORS

METRIC



Size	Tolerance	✓	Special Tolerance	Quantity
D =	-,006 -,017	<input type="checkbox"/>	or	_____
L =	+1,0 -0,0	<input type="checkbox"/>	or	_____
T =	+0,00 -0,05	<input type="checkbox"/>	or	_____
H =	+0,0 -0,2	<input type="checkbox"/>	or	_____
M =	+2,0 +1,0	<input type="checkbox"/>	or	_____
X =	+0,000 -0,015	<input type="checkbox"/>	or	_____
Y =	+0,000 -0,015	<input type="checkbox"/>	or	_____

Material: _____

Hardness/Heat Treatment: _____

Required by: _____

Company: _____

Address: _____

City: _____ State/Prov.: _____ Zip/Postal Code: _____

Phone: _____ Fax: _____ Email: _____

Contact Name: _____ Reference #: _____