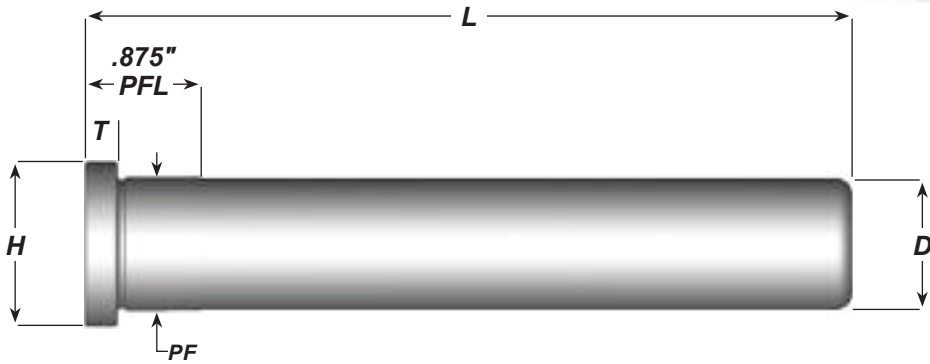
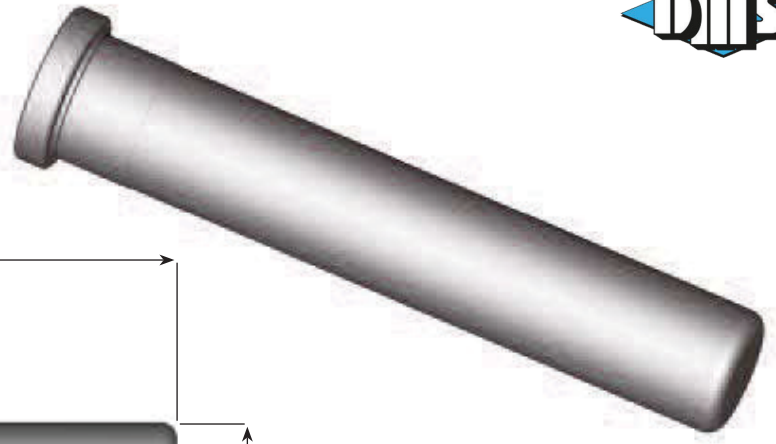


# GUIDED EJECTOR LEADER PINS

7/8 PRESS FIT



General Dimensions and Tolerances				
Nominal Diameter	D +.0000 -.0005	PF +.0005 -.0000	H +.000 -.010	T +.000 -.005
3/4	0.749	0.751	0.990	3/16
7/8	0.874	0.876	1.115	1/4
1"	0.999	1.001	1.240	1/4
1-1/4	1.249	1.251	1.490	5/16

L	D=3/4"	D=7/8"	D=1"	D=1-1/4"	L
	Cat. No	Cat. No	Cat. No	Cat. No	
4-1/4	1005-GLP	1104-GLP	1203-GLP	1303-GLP	4-1/4
4-3/4	1006-GLP	1105-GLP	1204-GLP	1304-GLP	4-3/4
5-1/4	1007-GLP	1106-GLP	1205-GLP	1305-GLP	5-1/4
5-3/4	1008-GLP	1107-GLP	1206-GLP	1306-GLP	5-3/4
6-1/4	1009-GLP	1108-GLP	1207-GLP	1307-GLP	6-1/4

