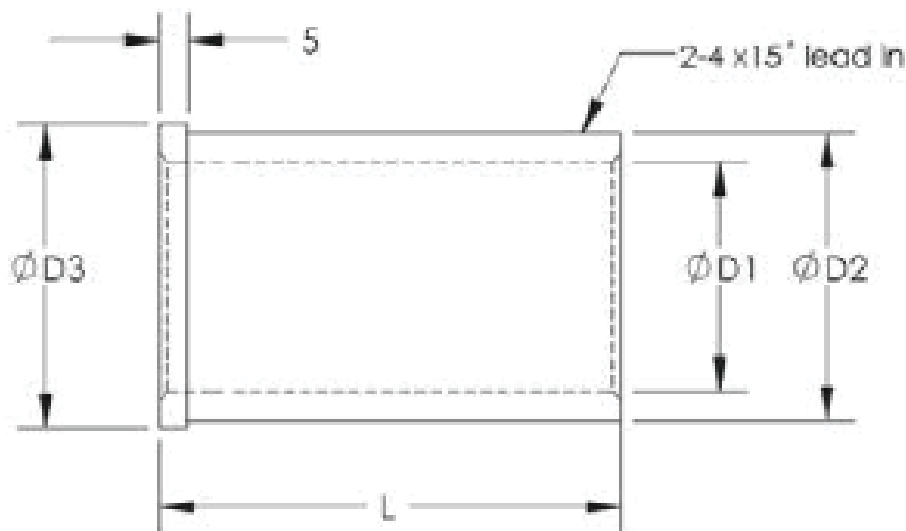


SHOULDER BUSHINGS

SOLID BRONZE — METRIC



WITH GREASE GROOVES

L	Nominal I.D.					
	20	25	30	40	50	60
25.00	LBBM20x25	LBBM25x25	LBBM30x25	LBBM40x25	—	—
30.00	LBBM20x30	LBBM25x30	LBBM30x30	LBBM40x30	LBBM50x30	LBBM60x30
40.00	LBBM20x40	LBBM25x40	LBBM30x40	LBBM40x40	LBBM50x40	LBBM60x40
50.00	LBBM20x50	LBBM25x50	LBBM30x50	LBBM40x50	LBBM50x50	LBBM60x50
65.00	LBBM20x65	LBBM25x65	LBBM30x65	LBBM40x65	LBBM50x65	LBBM60x65
80.00	LBBM20x80	LBBM25x80	LBBM30x80	LBBM40x80	LBBM50x80	LBBM60x80
100.00	LBBM20x100	LBBM25x100	LBBM30x100	LBBM40x100	LBBM50x100	LBBM60x100
120.00	LBBM20x120	LBBM25x120	LBBM30x120	LBBM40x120	LBBM50x120	LBBM60x120
140.00	—	LBBM25x140	LBBM30x140	LBBM40x140	LBBM50x140	LBBM60x140
150.00	—	LBBM25x150	LBBM30x150	LBBM40x150	LBBM50x150	LBBM60x150

GENERAL DIMENSIONS			
Nom.	D1	D2	D3
I.D.	+0.013 -0.000	+0.013 -0.000	+0.00 -0.13
20	20.013	26.013	28.00
25	25.013	32.013	35.00
30	30.013	38.013	41.00
40	40.013	50.013	53.00
50	50.013	60.013	63.00
60	60.013	70.013	73.00

Materials: Aluminum Bronze

Tolerances: L: +0.00/-0.76