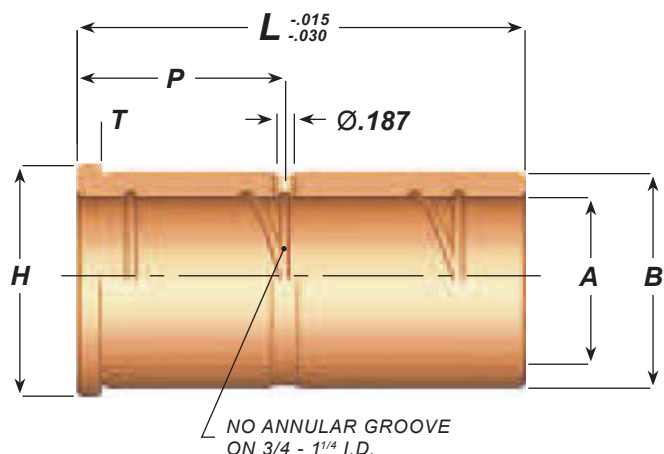
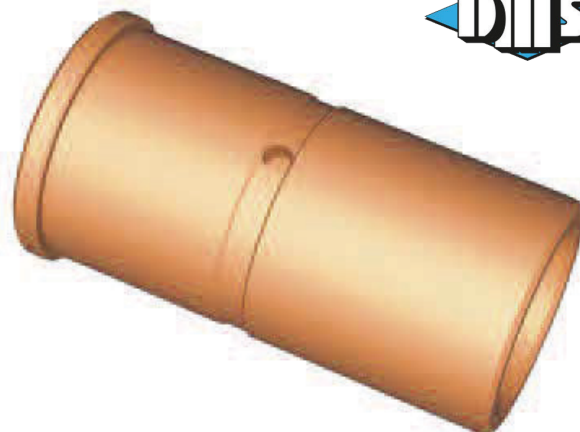


# SHOULDER BUSHINGS

## SOLID BRONZE



General Dimensions and Tolerances

Nominal I.D.	A +.0005 -.0000	B +.0005 -.0000	H +.000 -.010	T +.000 -.005
3/4	0.751	1.126	1.302	3/16
7/8	0.876	1.251	1.427	3/16
1"	1.001	1.376	1.552	3/16
1-1/4	1.251	1.626	1.802	3/16
1-1/2	1.501	2.001	2.177	3/16
2"	2.001	2.501	2.677	3/16
2-1/2	2.501	3.251	3.427	3/16
3"	3.001	3.751	3.990	1/2

L	P	CATALOG NUMBER								L
		A=3/4"	A=7/8"	A=1"	A=1-1/4"	A=1-1/2"	A=2"	A=2-1/2"	A=3"	
7/8	*	2700SB	2710SB	2730SB	2750SB	2770SB	-	-	-	7/8
1-3/8	0.56	2701SB	2711SB	2731SB	2751SB	2771SB	2901SB	2951SB	-	1-3/8
1-7/8	0.56	2702SB	2712SB	2732SB	2752SB	2772SB	2902SB	2952SB	-	1-7/8
2-3/8	1.56	2703SB	2713SB	2733SB	2753SB	2773SB	2903SB	2953SB	-	2-3/8
2-7/8	1.56	2704SB	2714SB	2734SB	2754SB	2774SB	2904SB	2954SB	-	2-7/8
3-3/8	1.56	2705SB	2715SB	2735SB	2755SB	2775SB	2905SB	2955SB	-	3-3/8
3-7/8	1.56	2706SB	2716SB	2736SB	2756SB	2776SB	2906SB	2956SB	3976SB	3-7/8
4-3/8	1.56	2707SB	2717SB	2737SB	2757SB	2777SB	2907SB	2957SB	-	4-3/8
4-7/8	1.56	2708SB	2718SB	2738SB	2758SB	2778SB	2908SB	2958SB	3978SB	4-7/8
5-7/8	1.56	2709SB	2720SB	2740SB	2760SB	2780SB	2910SB	2960SB	3980SB	5-7/8
7-7/8	-	-	-	-	-	-	-	-	3984SB	7-7/8

▶ No grease groove or hole on 7/8 long bushings.