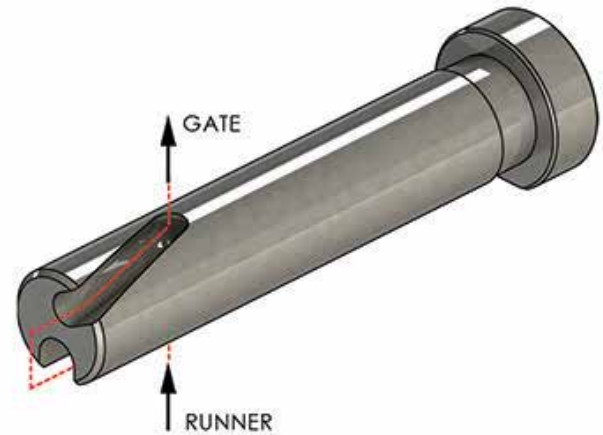
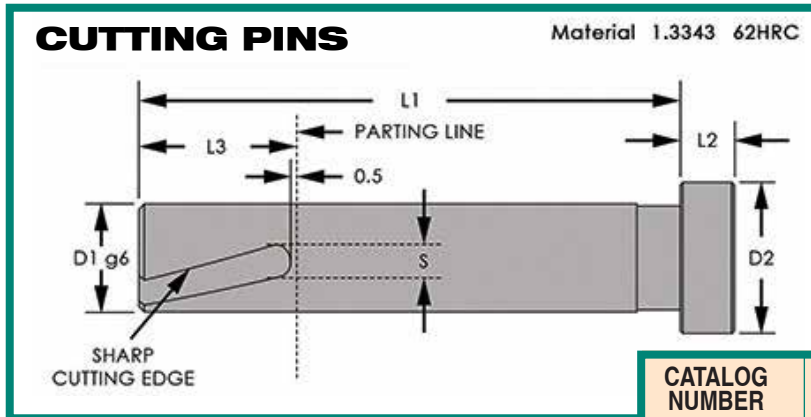


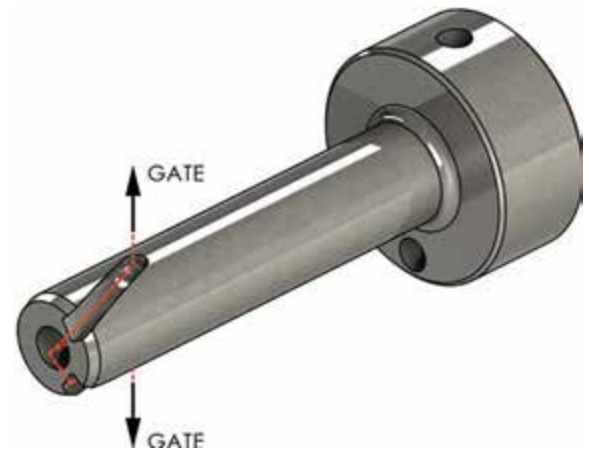
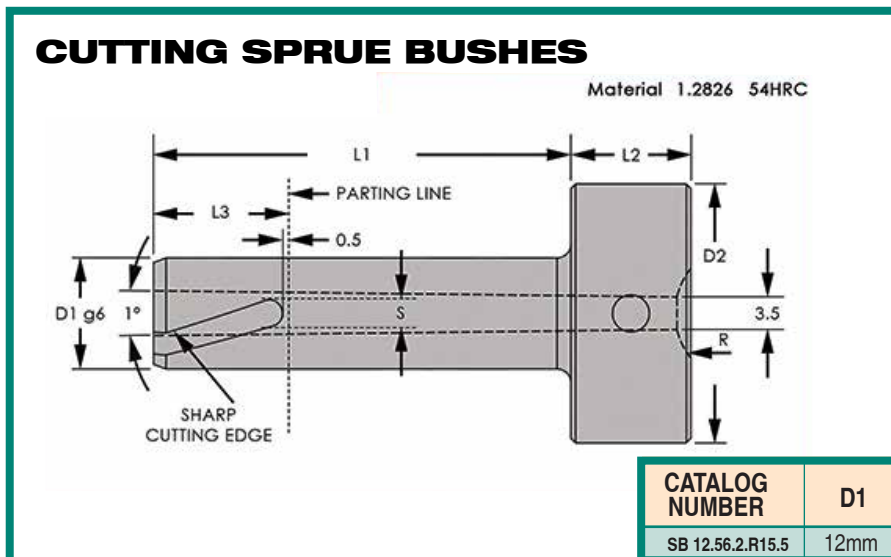


In-Mould Edge Gate Cutting

- The pin and bush provide automation in cutting large edge gates
- The large gate enables a reduction in injection pressure
- The large gate improves packing and part quality
- The pin and bush are made from M2 Steel 62 HRC
- Full drawings and 3D models can be downloaded from our website



CATALOG NUMBER	D1	D2	L1	L2	L3	S	GATES
PI0.50.1	10mm	13.7mm	50mm	5mm	14.5mm	3mm	1
PI0.50.2-120	10mm	13.7mm	50mm	5mm	14.5mm	3mm	2
P12.60.1	12mm	16.5mm	60mm	7mm	14.5mm	3mm	1
P12.60.2-90	12mm	16.5mm	60mm	7mm	14.5mm	3mm	2
P12.60.2-120	12mm	16.5mm	60mm	7mm	14.5mm	3mm	2
P3-8.50.1	3/8"	13.7mm	50mm	5mm	14.5mm	3mm	1
PI-2.60.1	1/2"	16.5mm	60mm	7mm	14.5mm	3mm	1
PI-2.60.2-90	1/2"	16.5mm	60mm	7mm	14.5mm	3mm	2
PI-2.60.2-120	1/2"	16.5mm	60mm	7mm	14.5mm	3mm	2
SPECIAL			L1 LENGTH		PLEASE ENQUIRE		



CATALOG NUMBER	D1	D2	L1	L2	L3	S	R
SB 12.56.2.R15.5	12mm	28mm	56mm	13mm	14.5mm	3mm	15.5
SB 12.56.2.R15.5	12mm	28mm	76mm	13mm	14.5mm	3mm	15.5
SB 12.76.2.R 15.5	18mm	38mm	60mm	18mm	20.5mm	5mm	15.5
SB 18.60.2.R 15.5	18mm	38mm	90mm	18mm	20.5mm	5mm	15.5
SB 18.90.2.R15.5	12mm	28mm	56mm	13mm	14.5mm	3mm	1/2"
SB12.56.2.R1 2	12mm	28mm	56mm	13mm	14.5mm	3mm	1/2"
SB 18.60.2.RI 2	18mm	38mm	60mm	18mm	20.5mm	5mm	1/2"
SB 18.90.2.RI 2	18mm	38mm	60mm	18mm	20.5mm	5mm	1/2"
SPECIAL			L1 LENGTH		PLEASE ENQUIRE		

PATENTED PRODUCT

ALMO