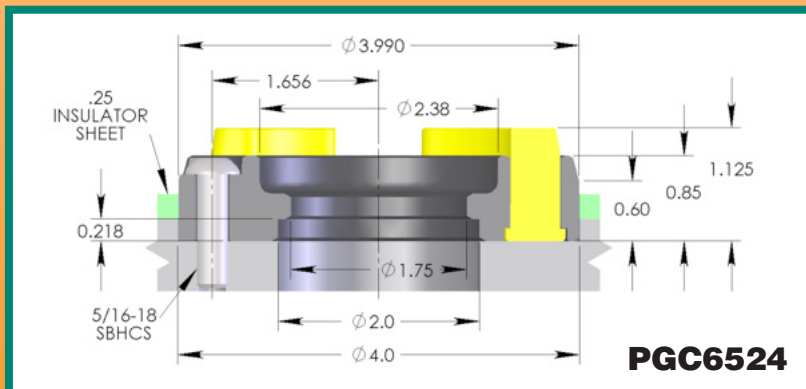
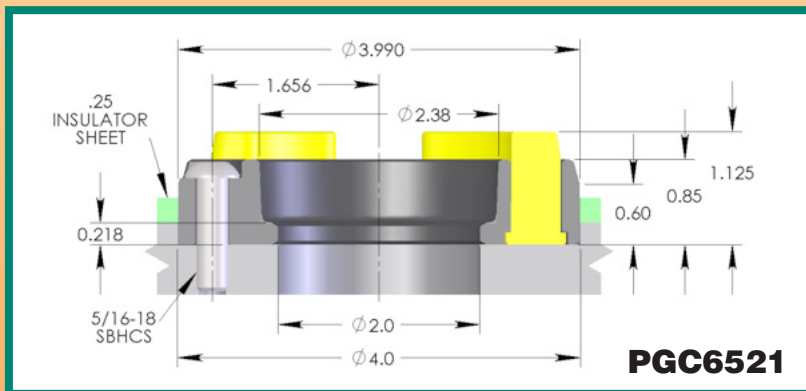
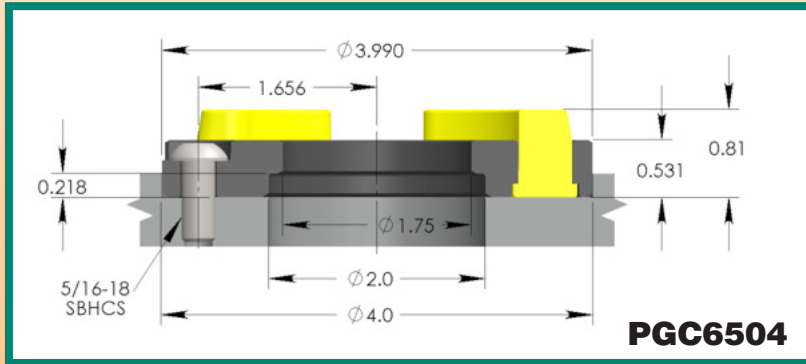
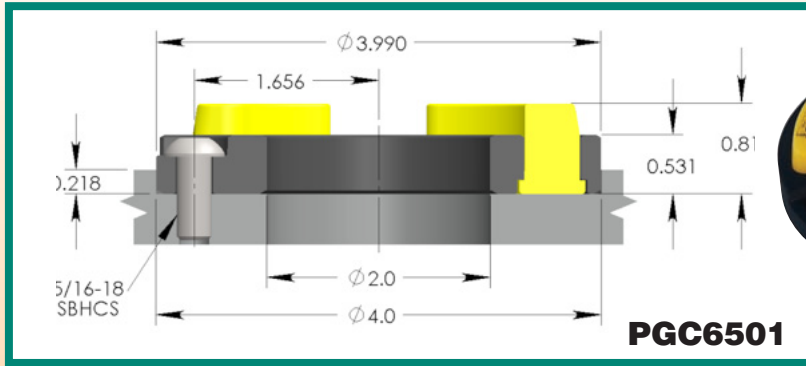




Your Innovative Edge

# platen**GUARD**<sup>TM</sup> Locating Rings



platen**GUARD**<sup>TM</sup>  
100% MADE IN THE U.S.A.

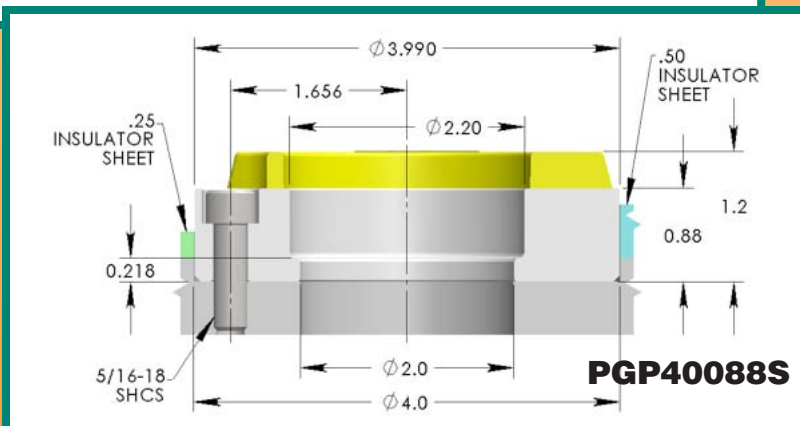
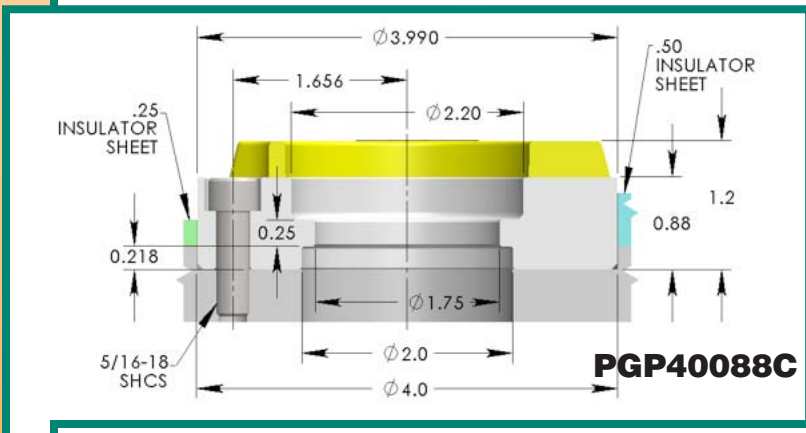
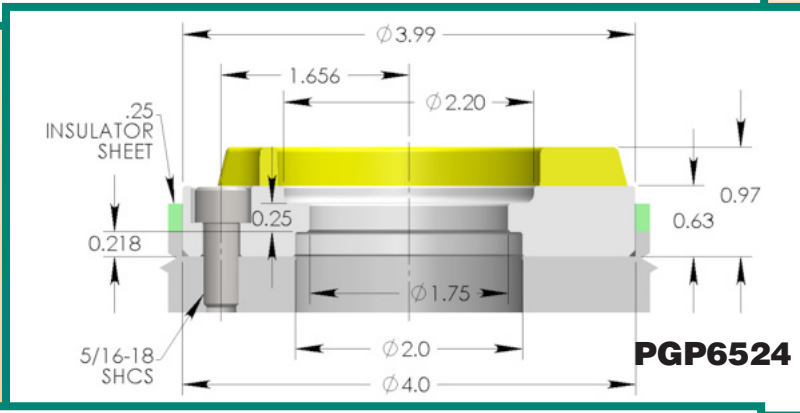
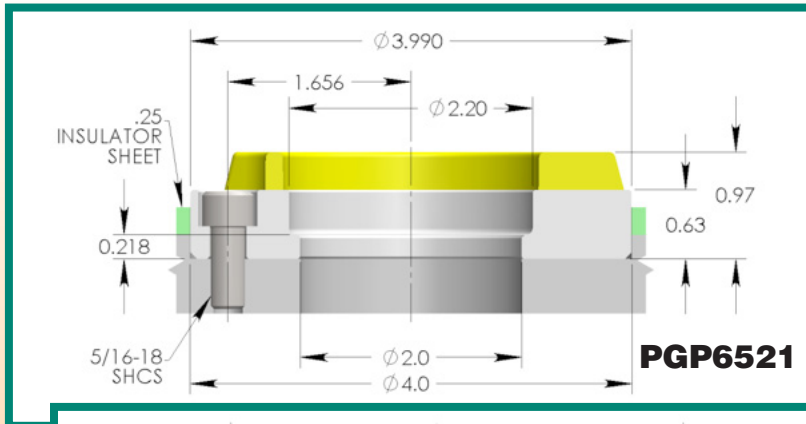
- Steel substrate effectively locates the mold in the press
- Resilient surface is tall enough to protect the platen even when molds are difficult to balance
- Resilient surface withstands all current processing temperatures of existing resins
- Purging's do not adhere to the resilient surface
- Resilient surface color is easy to see even when lighting is compromised
- Machine platen will not be damaged from impact during mold setting
- Constant filing or stoning of machine platens as a result of ring strikes is eliminated
- Productivity is increased through improved setting procedure
- Reduced flash from nonparallel parting line faces
- Insert wear is minimized
- Completely retrofittable with existing standard rings

DMS (Windsor, ON)  
DMS (Schaumburg, IL)  
DMS (Fountain Valley, CA)



Your Innovative Edge

# platen**GUARD**™ Premium Locating Rings



platen**GUARD**™  
100% MADE IN THE U.S.A.

- Steel substrate effectively locates the mold in the press
- Resilient surface is tall enough to protect the platen even when molds are difficult to balance
- Resilient surface withstands all current processing temperatures of existing resins
- Purging's do not adhere to the resilient surface
- Resilient surface color is easy to see even when lighting is compromised
- Machine platen will not be damaged from impact during mold setting
- Constant filing or stoning of machine platens as a result of ring strikes is eliminated
- Productivity is increased through improved setting procedure
- Reduced flash from nonparallel parting line faces
- Insert wear is minimized
- Completely retrofittable with existing standard rings



PHONE: 800-265-4885

[www.dmscomponents.com](http://www.dmscomponents.com)

FAX: 800-845-3807

WINDSOR: PHONE 519-737-6743 FAX 519-737-6744