

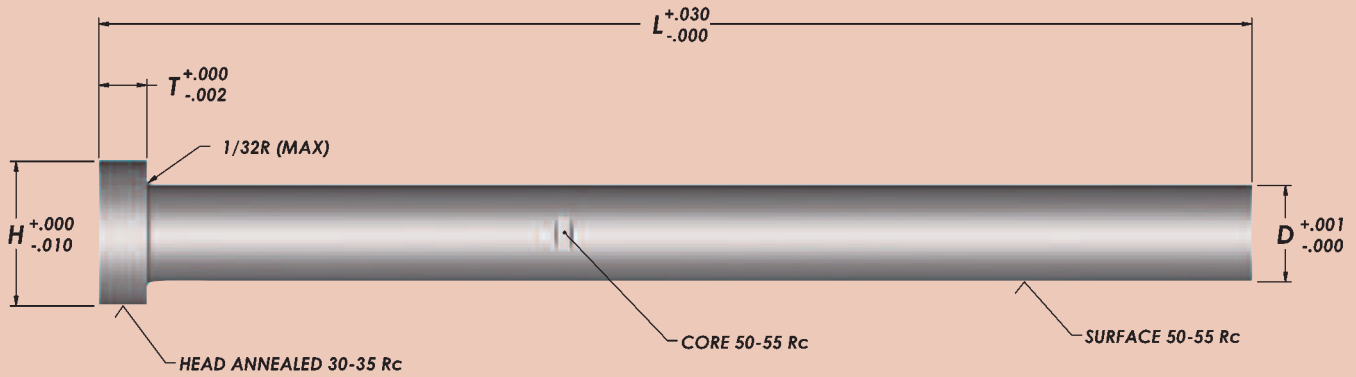


Core Pins

High Hardness (Hard)

Inch

Material • AISI: H13
• 1.2344



D	Cat. No.	L				H	T
		3"	6"	10"	14"		
3/32	CPH09	L03	L06	L10		1/4	1/8
7/64	CPH10	L03	L06	L10		1/4	1/8
1/8	CPH12	L03	L06	L10	L14	1/4	1/8
9/64	CPH14	L03	L06	L10	L14	1/4	1/8
5/32	CPH15	L03	L06	L10	L14	9/32	5/32
11/64	CPH17	L03	L06	L10	L14	11/32	3/16
3/16	CPH18	L03	L06	L10	L14	3/8	3/16
13/64	CPH20	L03	L06	L10	L14	3/8	3/16
7/32	CPH21	L03	L06	L10	L14	13/32	3/16
1/4	CPH25	L03	L06	L10	L14	7/16	3/16
9/32	CPH28	L03	L06	L10	L14	7/16	1/4
5/16	CPH31	L03	L06	L10	L14	1/2	1/4
11/32	CPH34	L03	L06	L10	L14	9/16	1/4
3/8	CPH37	L03	L06	L10	L14	5/8	1/4
13/32	CPH40	L03	L06	L10	L14	11/16	1/4
7/16	CPH43	L03	L06	L10	L14	11/16	1/4
15/32	CPH46	L03	L06	L10	L14	3/4	1/4
1/2	CPH50	L03	L06	L10	L14	3/4	1/4
9/16	CPH56		L06	L10	L14	13/16	1/4
5/8	CPH62		L06	L10	L14	7/8	1/4
3/4	CPH75		L06	L10	L14	1	1/4
7/8	CPH87		L06	L10	L14	1-1/8	1/4
1"	CPH100		L06	L10	L14	1-1/4	1/4

NEW

To order, add overall length L to Catalog Number. Example: CPH09L03