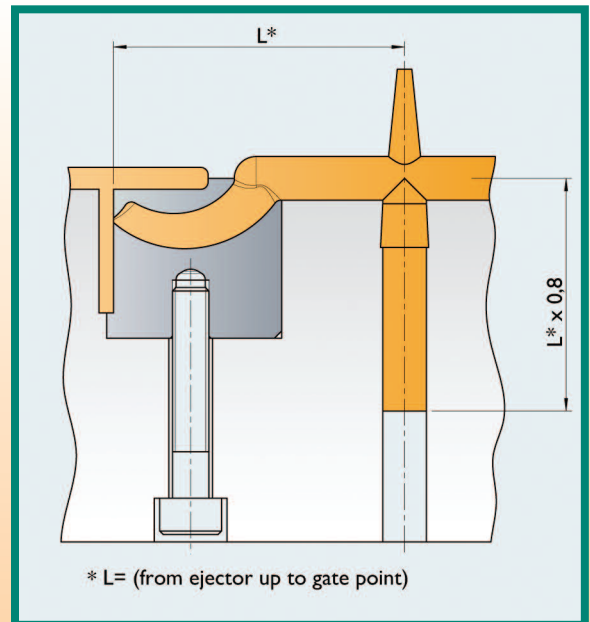
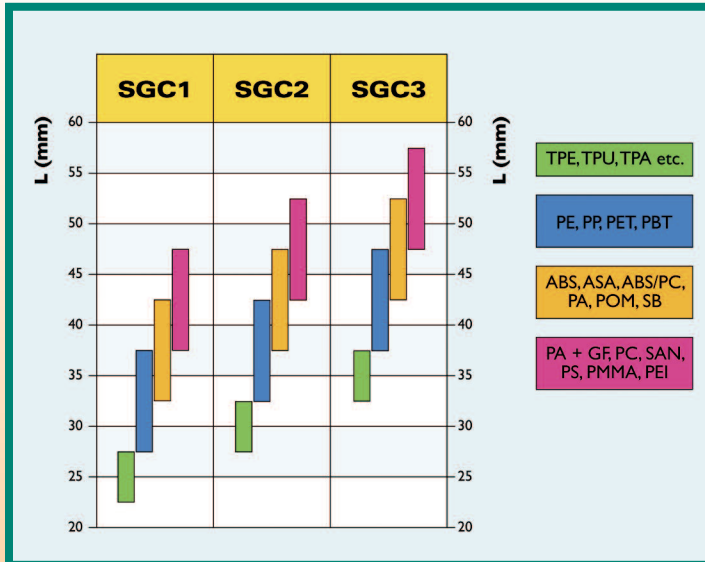




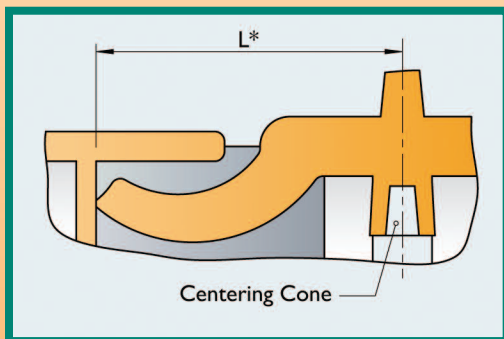
SGC Cashew Gate Inserts

Side Gate Contourable

Diagram for distance "L"



Installation instruction (TPE)



Thermoplastic elastomers (TPE)

- Low Shore hardness = shorter distance "L"
- Use centering cone
- Max. hardness max. 100 Shore A.

Installation instruction for contour matching

