



# Cashew Gate Inserts

## S1 Series

- With machining allowance on upper surface
- Slight contourings possible
- Same properties as S2 Series
- Available in round (TGR) and square (TGS) versions
- Minimum width of vestige same as S2 Series

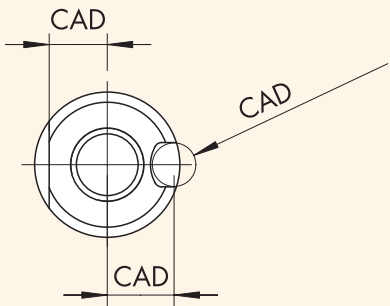


**TGR**



**TGS**

Anti-rotation locking possibility



	TGR 6	TGR/TGS 8	TGR/TGS 10	TGR/TGS 12	TGR/TGS 14
<b>GATE POINT</b>	0,6	0,6 / 0,8	0,8 / 1,2 / 1,6	1,2 / 1,6 / 2,0	1,6 / 2,0 / 2,4 / 2,8
<b>RUNNER</b>	2.5	3	4	5	6
<b>MAXIMUM SHOT WEIGHT</b>					
<b>NV</b>	3	5	30	50	200
<b>MV</b>	2	4	20	35	120
<b>HV</b>	1	3	12	25	75

NV = low viscosity / MV = medium viscosity / HV = high viscosity



**TGR12**

• Actual Size

**TGS12**



TGR	Cat. No.	d	d1	d3	h	h1	h2	l1	l2	M	Series	HRC
	<b>TGR6</b>	6	0,6	2.5	17.6	0.6	1.4	10	2.5	4	S1	Version U = 40 HRC* * (available while quantity lasts) Version H = 60 HRC
	<b>TGR8</b>	8	0,6	3	22.6	0.6	1.7	13	3.25	4	S1	
		8	0,8	3	22.6	0.6	1.7	13	3.25	4	S1	
	<b>TGR10</b>	10	0,8	4	22.8	0.8	2.0	12	4	5	S1	
		10	1,2	4	22.8	0.8	2.0	12	4	5	S1	
		10	1,6	4	22.8	0.8	2.0	12	4	5	S1	
	<b>TGR12</b>	12	1,2	5	22.8	0.8	2.2	11	5	5	S1	
		12	1,6	5	22.8	0.8	2.2	11	5	5	S1	
		12	2,0	5	22.8	0.8	2.2	11	5	5	S1	
	<b>TGR14</b>	14	1,6	6	22.8	0.8	2.4	10	6	6	S1	
		14	2,0	6	22.8	0.8	2.4	10	6	6	S1	
		14	2,4	6	22.8	0.8	2.4	10	6	6	S1	
		14	2,8	6	22.8	0.8	2.4	10	6	6	S1	

TGS	Cat. No.	b	b1	d1	d3	h	h1	h2	l1	l2	M	Series	HRC
	<b>TGS8</b>	8	6	0,6	3	22.6	0.6	1.7	13	3.25	4	S1	Version U = 40 HRC* * (available while quantity lasts) Version H = 60 HRC
		8	6	0,8	3	22.6	0.6	1.7	13	3.25	4	S1	
	<b>TGS10</b>	10	8	0,8	4	22.8	0.8	2.0	12	4	5	S1	
		10	8	1,2	4	22.8	0.8	2.0	12	4	5	S1	
		10	8	1,6	4	22.8	0.8	2.0	12	4	5	S1	
	<b>TGS12</b>	12	10	1,2	5	22.8	0.8	2.2	11	5	5	S1	
		12	10	1,6	5	22.8	0.8	2.2	11	5	5	S1	
		12	10	2,0	5	22.8	0.8	2.2	11	5	5	S1	
	<b>TGS14</b>	14	12	1,6	6	22.8	0.8	2.4	10	6	6	S1	
		14	12	2,0	6	22.8	0.8	2.4	10	6	6	S1	
		14	12	2,4	6	22.8	0.8	2.4	10	6	6	S1	
		14	12	2,8	6	22.8	0.8	2.4	10	6	6	S1	

CAD files available at:

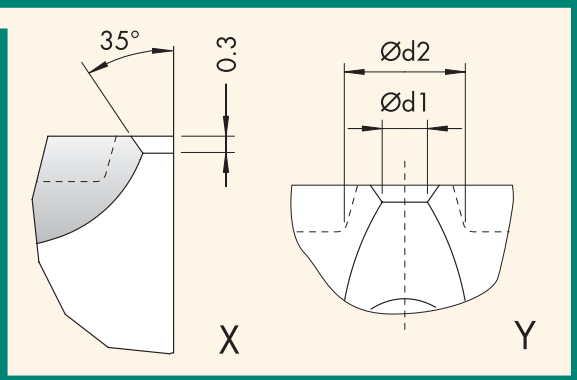
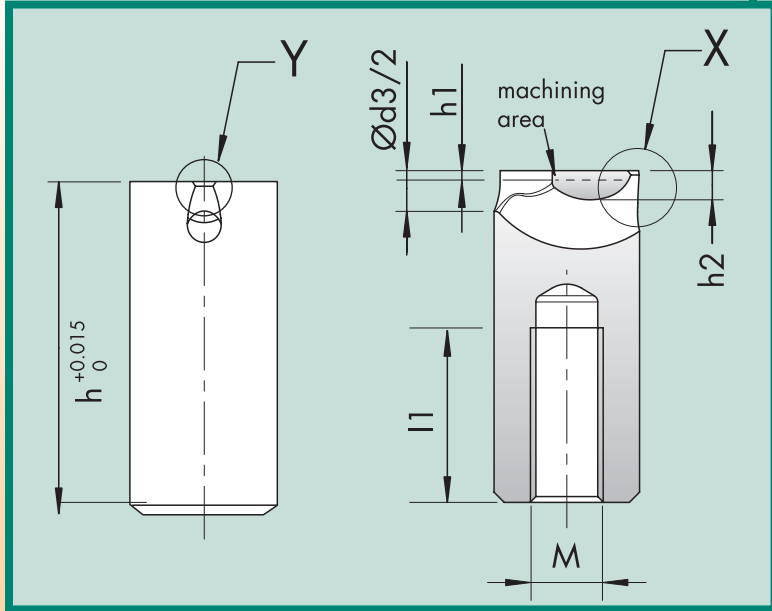
To order — Cat. No.-d1-Series-HRC. Example: **TGR6-06-S1-U**





# Cashew Gate Inserts

## S1 Series



**Table for distance L**

Part No.	Material Type			
	TPE, TPU, etc.	PE, PP, PET etc.	PC/ABS, PA, POM, HI-PC, etc.	PA+GF, PC, SAN, PMMA, etc.
TGR 6	9-12	12-18	15-22	18-25
TGR/TGS 8	11-14	15-22	19-27	23-30
TGR/TGS 10	15-18	19-27	24-33	28-36
TGR/TGS 12	18-22	22-30	27-36	32-40
TGR/TGS 14	20-25	25-33	30-37	35-43

### Recommendations

