



# NM Shut-Off Nozzle

## Your Innovative Edge

- Automatically shuts off.
- Long lasting, heat resistant spring.
- Opening pressure can be customized.
- Optional CVD Coating is recommended when used with materials with 15-20% or more glass-fiber reinforcement.

**NEW**



**HM** HMM SOLUTIONS INC

### NM SHUT-OFF NOZZLE

Material: \_\_\_\_\_ Shot Weight \_\_\_\_\_

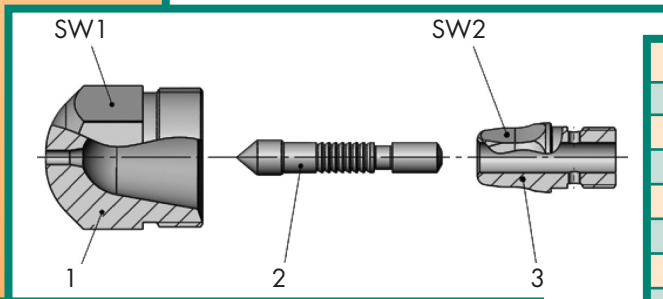
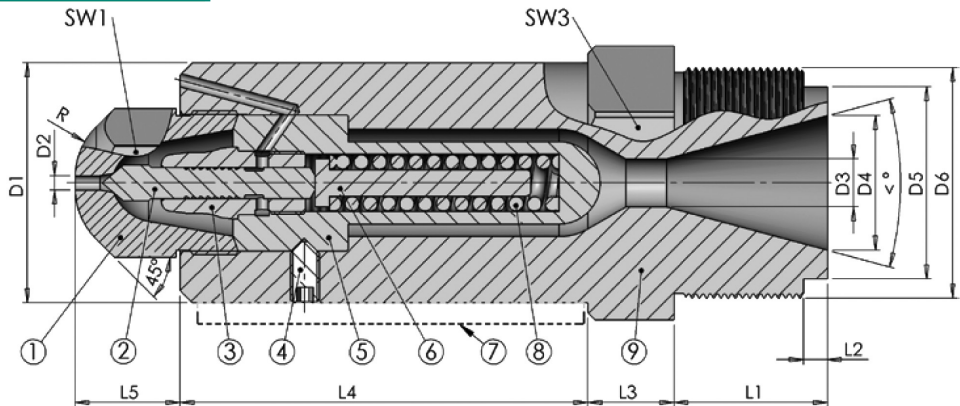
Injection Molding Press: \_\_\_\_\_

Molding Pressure: \_\_\_\_\_

Optional CVD Coating: \_\_\_\_\_

### SHUT-OFF FUNCTION

NM Shut-Off Nozzle automatically closes to minimize drool and then opens again automatically at 3000-3600 PSI. High-temperature Inconel<sup>®</sup> spring provides long lasting operation.



Part No.	Steel	HRC	Nitride	CVD
1	W1.2343	48-50	yes	◦
2	W1.2343	~45	yes	◦
3	W1.2343	~45	yes	◦
4	n/a	~45		
5	W1.2343	~46		
6	W1.2343		yes	
8	Inconel <sup>®</sup>			
9	W1.2343	~45		

	NM-40	NM-50	NM-60	NM-80
Max injection weight [grams]	600	1100	2000	5000

◦ Optional upon request.

Cat. No.	D1	D2	D3	D4	D5	D6	R	L1	L2	L3	L4	L5	SW1	SW2	Nm*	SW3
NM-40	40	1.6-3								14	72	22	25	10	40	41
NM-50	50	2.5-4								18	85	22	27	11	40	50
NM-60	60	4-6								30	125	30	34	15	50	60-70
NM-80	80	6-11								35	180	45	50	24	65	80-95

\* Max. torque for SW2

FAX: 800-845-3807

[www.dmscomponents.com](http://www.dmscomponents.com)

PHONE: 800-265-4885

WINDSOR: PHONE 519-737-6743 FAX 519-737-6744