



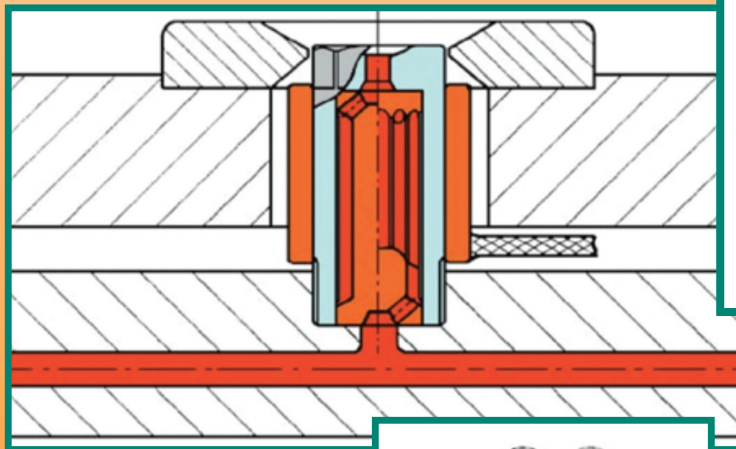
WSF inMold Melt Filter & Sleeve

For use in plastic injection molds - ideal for applications using regrind. Minimizes downtime, while protecting nozzle tips & gates from in-melt contaminate.

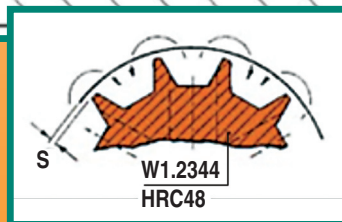
- Gap Filter Engineered for easy flow of the melt and low pressure drop
- Filters metal chips, unmelted granulate, and other contaminate
- Minimizes processing down-time from fouled nozzle tips or gates
- Compact package with minimal machining, installation, maintenance
- Installs easily & securely - held in place by Locating Ring
- Filter cartridge can be installed in either direction
- Filter cartridge can be easily pulled from mold for periodic ultrasonic cleaning
- (1) standard sized filter available in (5) standard gap sizes
- Gap size may be customized for your application
- Gap size may be increased, at any time, through circular grinding
- Optional inMold Melt Filter Sleeve available in (3) lengths



HM HMM SOLUTIONS INC

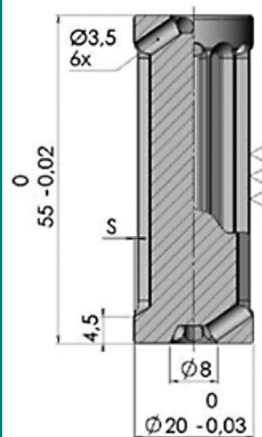


Easy installation between hot manifold system and locating ring



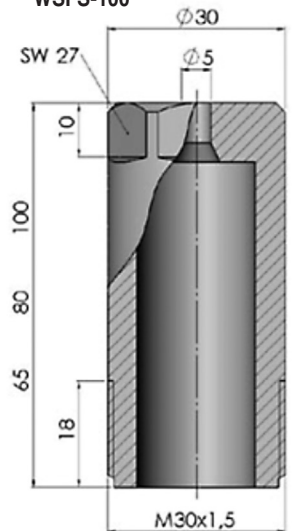
inMold Melt Filter

WSF-015
WSF-025
WSF-040
WSF-060
WSF-080



inMold Melt Filter Sleeve

WSFS-065
WSFS-080
WSFS-100



Moulders that use regrind or that have experienced fouled nozzle tips or gates will appreciate the WSF inMold Melt Filter. Gap Filter Engineering significantly improves the filter flow area, dramatically reducing pressure losses common with other melt filters, such as screen packs.

Catalog Number	Gapsize S (mm)	Nozzle Opening Ø (mm)	Flow Channel Area (mn ²)	Max Shot Size (grams)	Pressure Loss (%)
WSF-015	0.15	0.5-1.1	80	~400	~12
WSF-025	0.25	0.8-1.5	130	~650	~8
WSF-040	0.40	1.2-2.5	200	~1200	~6
WSF-060	0.60	2.0-3.5	300	~1900	~4
WSF-080	0.80	2.4-4.0	420	~2500	~3